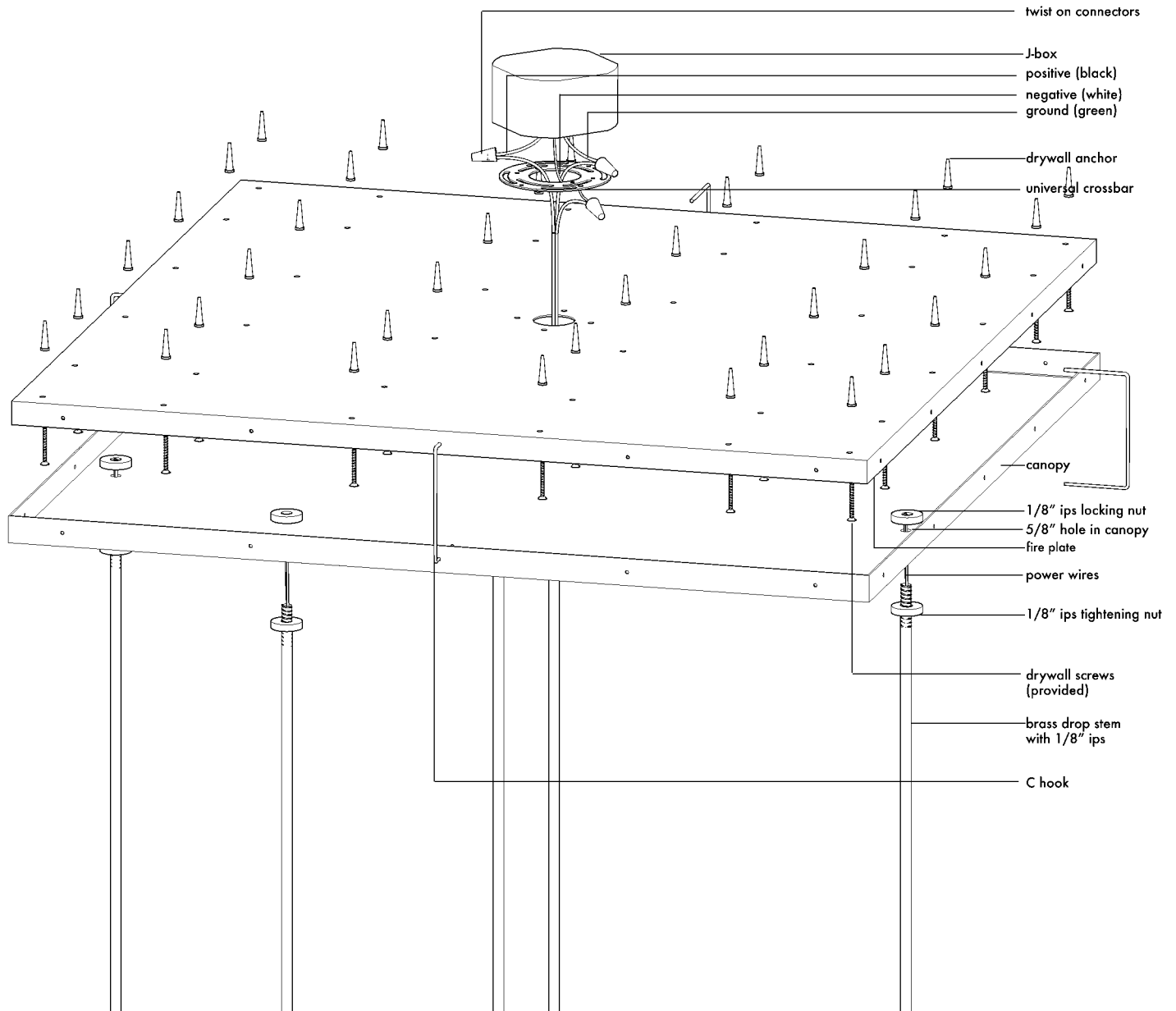


ALICE Chandelier



WIRING INSTRUCTIONS

1. Attach universal crossbar to Junction box, aligning holes in regard to fire plate screw holes and fixture direction.
2. Mark drywall anchor locations and install flush with ceiling surface.
3. Screw fire plate onto universal crossbar.
4. Use drywall screws to secure the edges of the fire plate onto the ceiling anchors.
5. Tuck the connected wires into the fire plate.
6. Connect positive supply wire (typically black or the smooth, unmarked side of the two-conductor cord) to positive fixture lead with appropriately sized twist on connector.
7. Connect negative supply wire (typically white or the ribbed, marked side of the two-conductor cord) to negative fixture lead.
8. Please refer to the grounding instructions to complete all electrical connections.
9. Insert C hooks into holes at side of fireplate. With the help of another person suspend canopy from C hooks.

GROUNDING INSTRUCTIONS

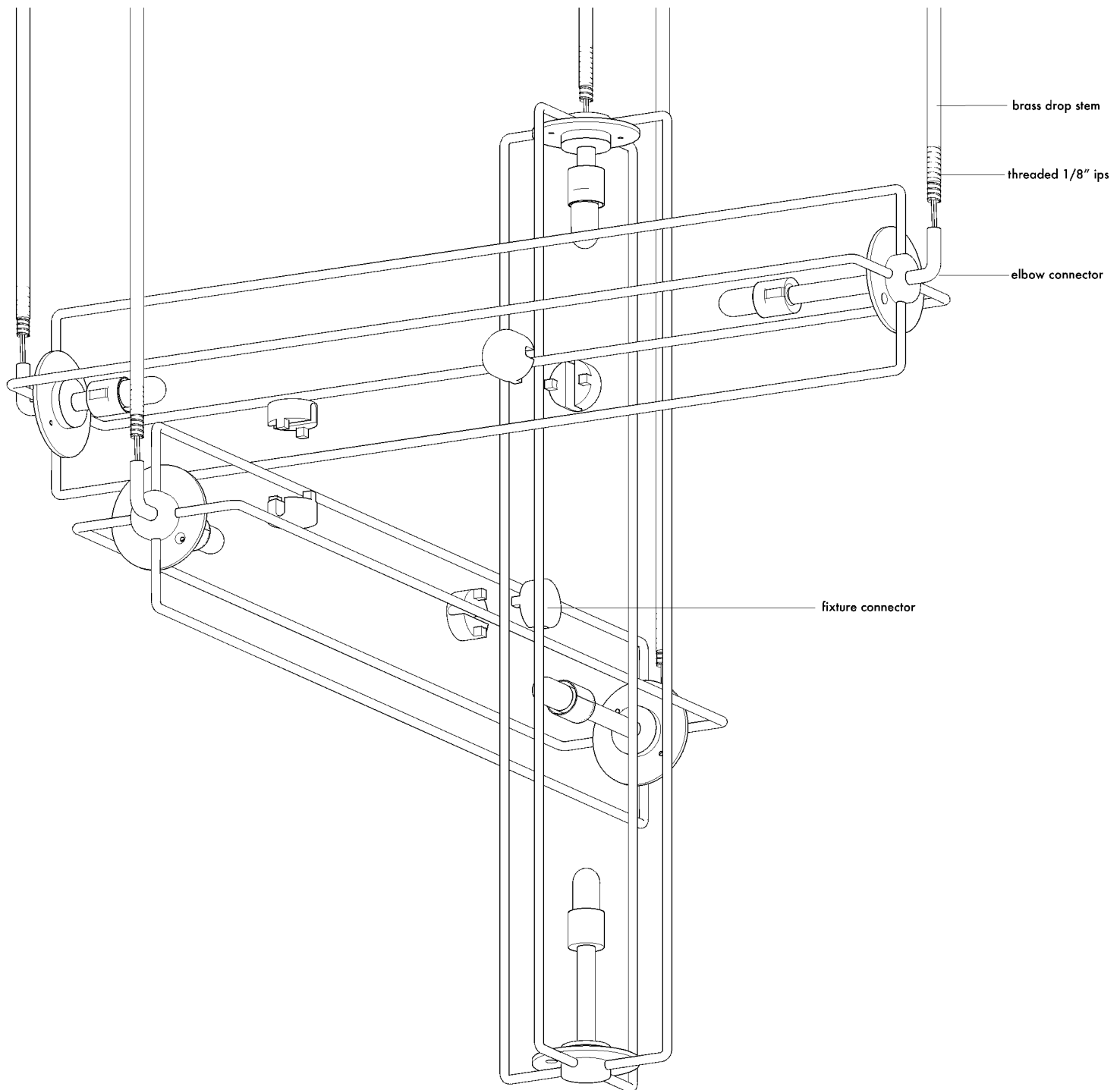
For positive grounding in a 3-wire electrical system, fasten the fixture ground wire (typically copper or green plastic coated) to the fixture mounting crossbar with the ground screw.

Note: On straps for screw support fixtures, first install the two mounting screws in strap. Any remaining tapped hole may be used for the ground screw.

ASSEMBLY INSTRUCTIONS

1. Insert 1/8" ips threaded portion of brass drop stem through 5/8" hole on canopy.
2. Screw locking nut to 1/8" ips on brass drop stem till secure.
3. Ensure tightening nut is loose enough to allow rod adjustment.
4. Use level to adjust rods into alignment. Secure placement by tightening nut.

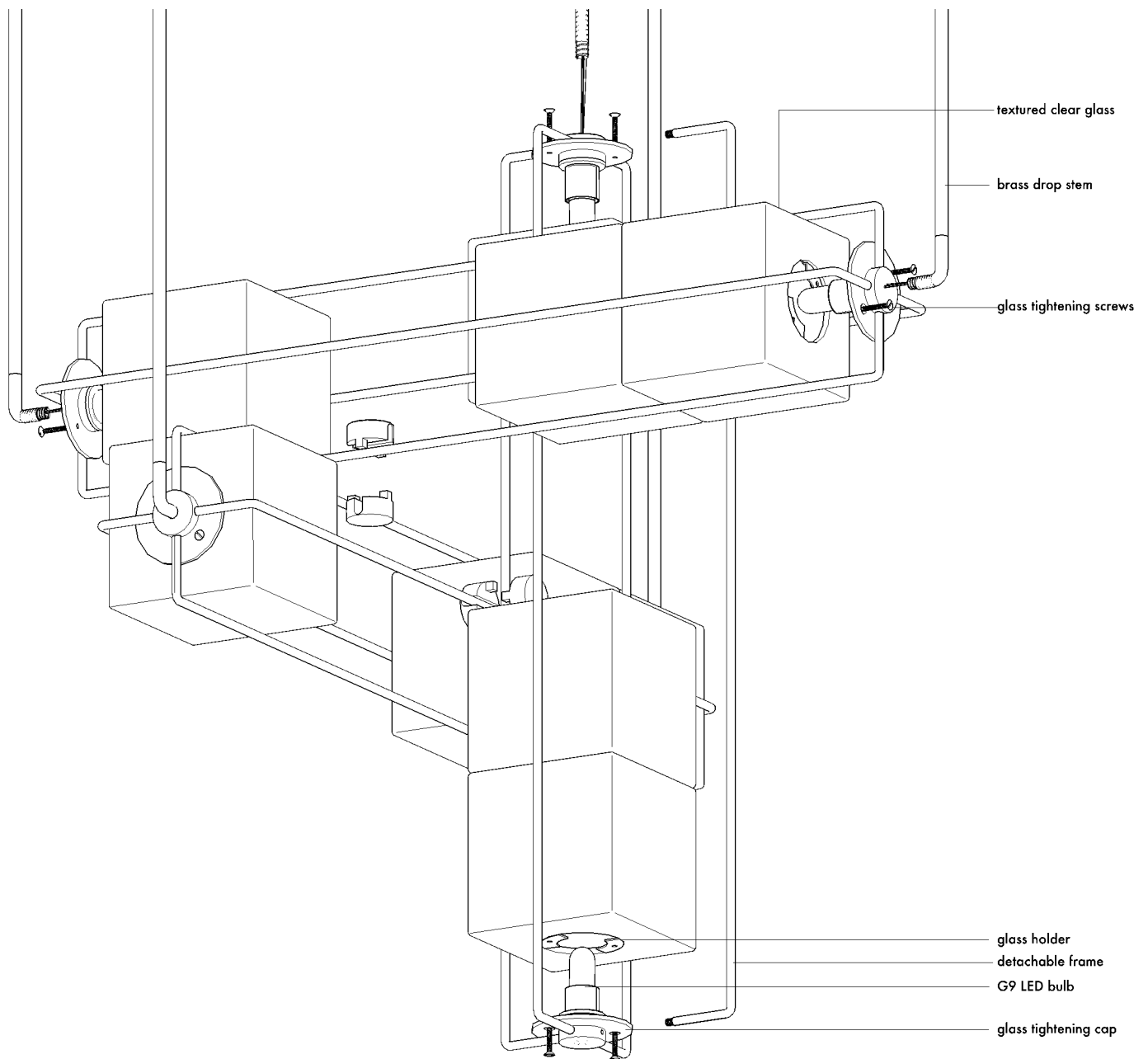
ALICE Chandelier



ASSEMBLY INSTRUCTIONS

1. Feed wires from pendant through brass drop stem.
2. Screw brass drop stems into elbows at pendants.
3. Secure connector where two pendants meet.

ALICE Chandelier



ASSEMBLY INSTRUCTIONS

1. Loosen set screws, remove detachable frames.
2. Do not remove paper from glass. Slide glass shades over bulbs and sockets.
3. Using provided screws, fasten glass to glass tightening cap.
4. Place detachable frames back into holes, tighten set screws.
5. Feed wires from pendant through brass drop stem.
6. Screw brass drop stems into elbows at pendants.
7. Secure connector where two pendants meet.
8. Take paper wrapping off glass.