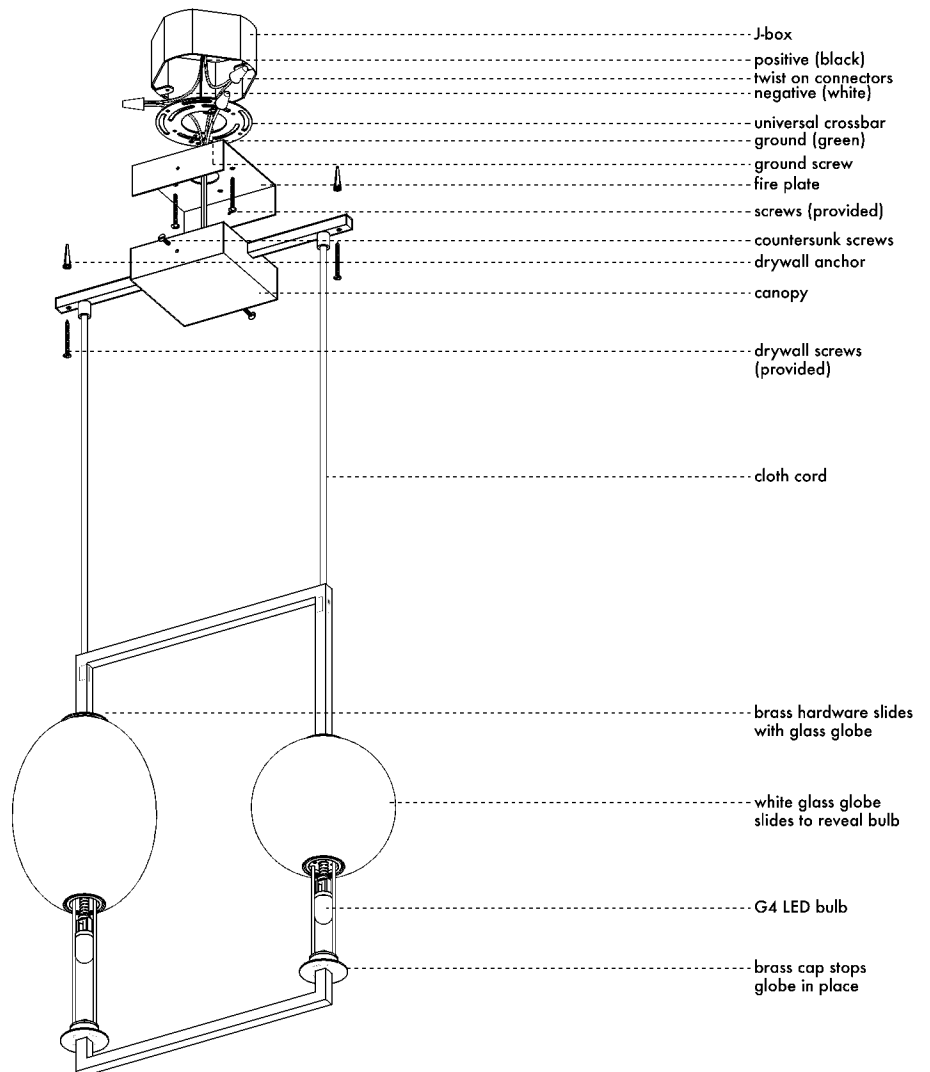


## MIRO 2



## WIRING INSTRUCTIONS

1. Attach universal crossbar to Junction box, aligning holes in regard to fire plate screw holes and fixture direction.
2. Mark drywall anchor locations and install flush with ceiling surface.
3. Connect positive supply wire (typically black or the smooth, unmarked side of the two-conductor cord) to positive fixture lead with appropriately sized twist on connector.
4. Connect negative supply wire (typically white or the ribbed, marked side of the two-conductor cord) to negative fixture lead.
5. Please refer to the grounding instructions to complete all electrical connections.
6. Tuck the connected wires into the junction box. Align screws from fire plate to the holes in universal crossbar.
7. Screw fire plate onto universal crossbar.
8. With the help of another person, raise the fixture by the canopy, and connect canopy to fire plate using side screws, tightening the canopy flush to the ceiling.
9. Use drywall screws to secure the edges of the top frame onto the ceiling anchors.

## GROUNDING INSTRUCTIONS

For positive grounding in a 3-wire electrical system, fasten the fixture ground wire (typically copper or green plastic coated) to the fixture mounting crossbar with the ground screw.

**Note:** On straps for screw support fixtures, first install the two mounting screws in strap. Any remaining tapped hole may be used for the ground screw.

## LED BULB REPLACEMENT

It's recommended to use a soft cloth or gloves when handling this fixture.

Slide white glass globes over brass frame to reveal LED bulb. Remove bulb by gently pulling it from socket and release from inner frame. Slide globe back in place fitting over brass cap.