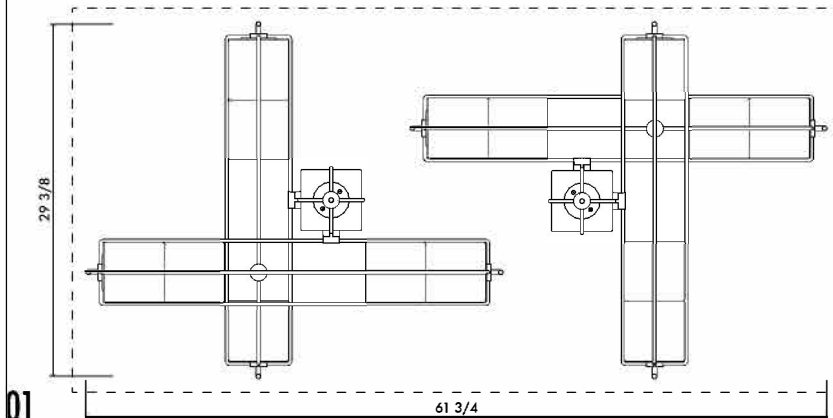


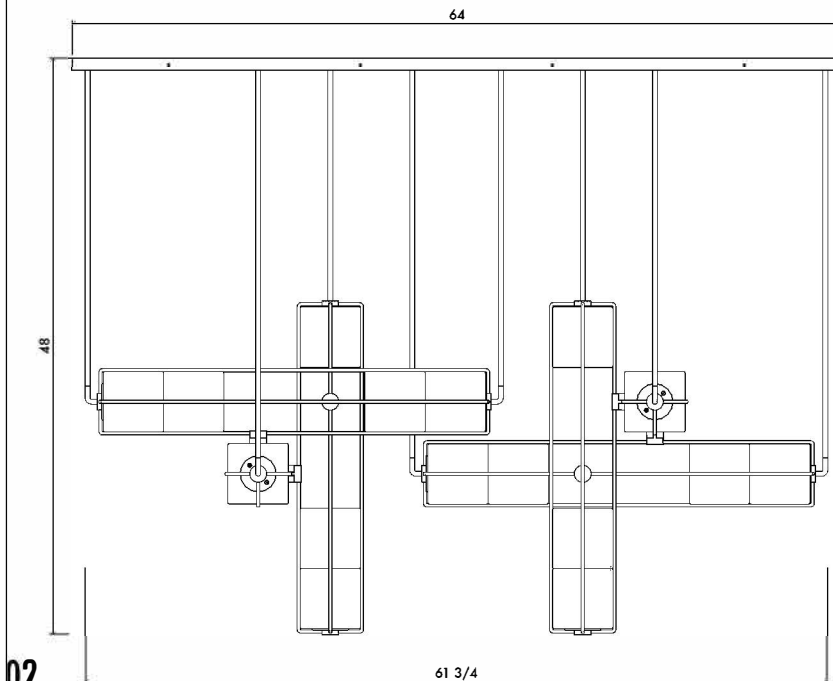
ATELIER de TROUPE

SPEC SHEET

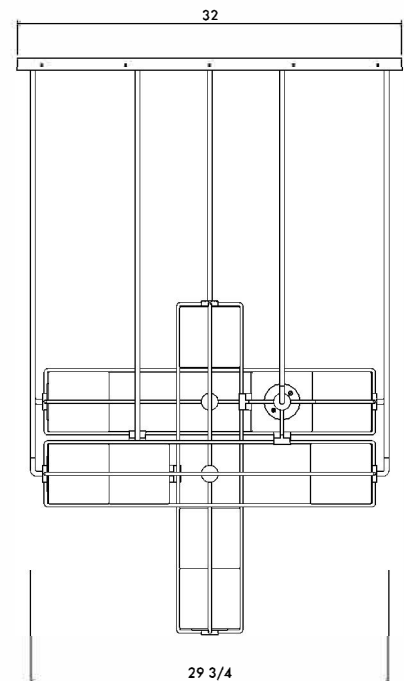
ALICE Wide Chandelier



01
TOP
1" = 1/16"



02
FRONT
1" = 1/16"



03
SIDE
1" = 1/16"

Handmade in Los Angeles.
Hardwired.

FINISHES

Frame, canopy and hardware in unfinished brass or blackened brass.
Hand-blown, sandblasted white or clear textured glass cubes.

DIMENSIONS

Width 64" | 162.6 cm |
Depth 32" | 81.3 cm |
Height 48" | 122 cm |

LAMPING

12 X mini bi-pin socket
12 X G9 LED bulb 4W equivalent to 40W (provided)
120 V / 240 V
UL, CE Listed.

