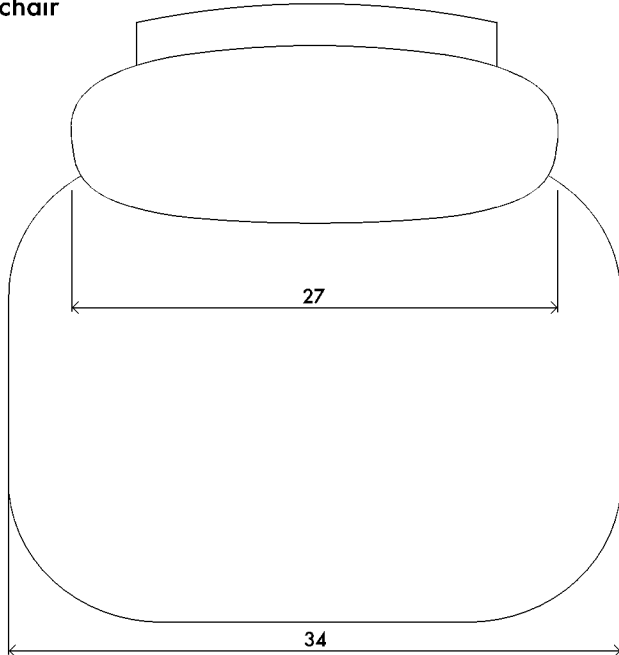
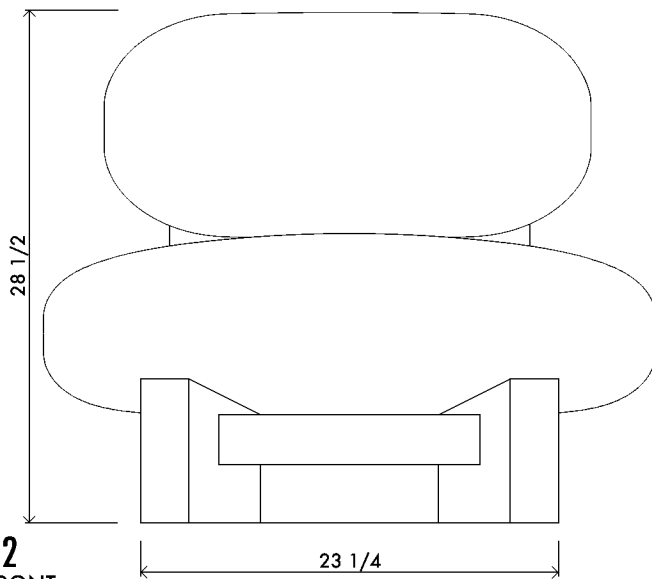


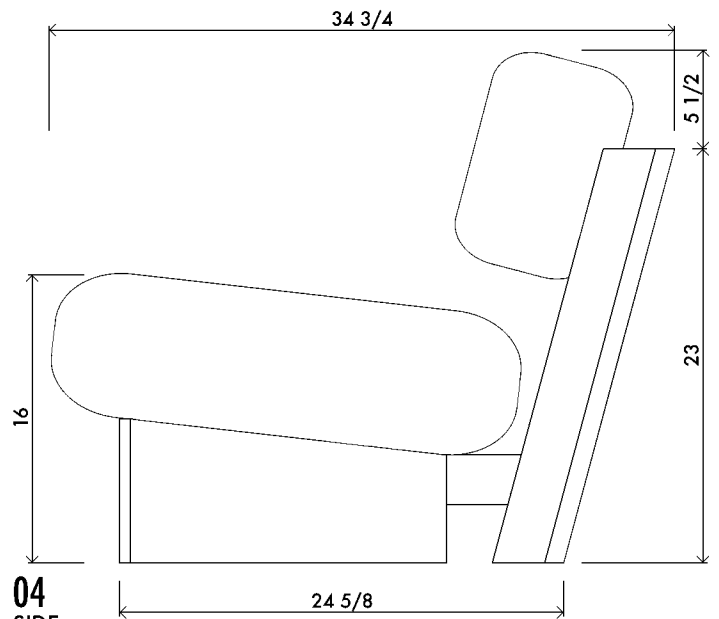
JIA chair



01
TOP
1" = 3/32"



02
FRONT
1" = 3/32"



04
SIDE
1" = 3/32"

Handmade in Los Angeles
Customizable Fabric

FINISHES

Frame built from solid wood.
Finishes are waxed natural oak, ebonized oak,
fumed oak, bleached ash, ebonized ash, or
white washed maple.
Fabric is provided by client

DIMENSIONS

Width 34 " | 86 cm |
Depth 34 3/4 " | 88 cm |
Height 28 1/2 " | 72 cm |

