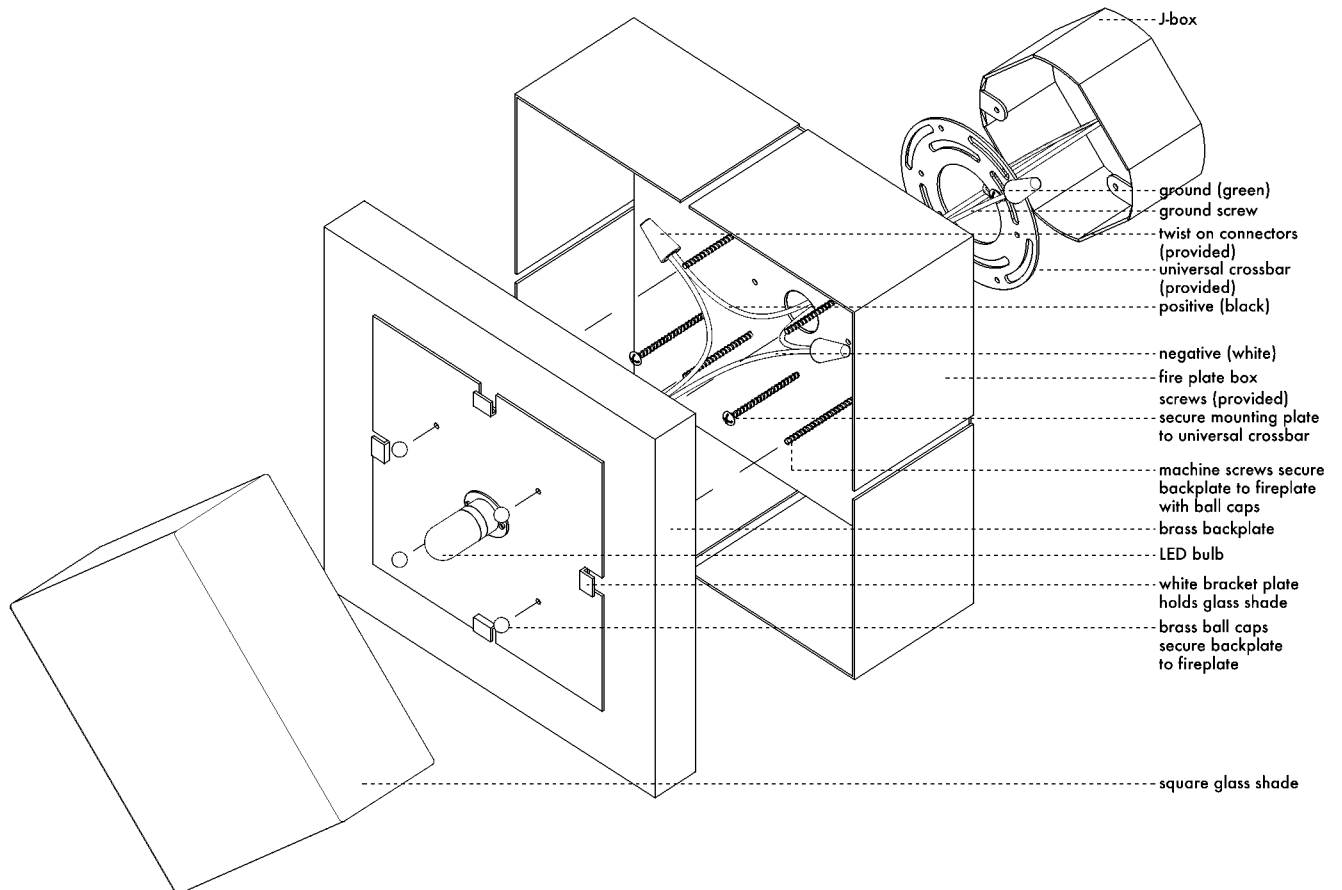


LUNE sconce



WIRING INSTRUCTIONS

1. Attach universal crossbar to Junction box, aligning holes to desired location in regard to fireplate screws. Attach fireplate.
2. Connect positive supply wire (typically black or the smooth, unmarked side of the two-conductor cord) to positive fixture lead with appropriately sized twist on connector.
3. Connect negative supply wire (typically white or the ribbed, marked side of the two-conductor cord) to negative fixture lead.
4. Please refer to the grounding instructions to complete all electrical connections.
5. Tuck the connected wires into the junction box. Align screws from fire plate to the holes in brass backplate. Thread the ball caps through, tightening the fire plate and backplate flush to the wall.

GROUNDING INSTRUCTIONS

For positive grounding in a 3-wire electrical system, fasten the fixture ground wire (typically copper or green plastic coated) to the fixture mounting crossbar with the ground screw.

Note: On straps for screw support fixtures, first install the two mounting screws in strap. Any remaining tapped hole may be used for the ground screw.

LED BULB REPLACEMENT

It's recommended to use a soft cloth or gloves when handling the glass shade.

To attach glass shade, turn glass shade 45 degrees to align the corners to bracket tabs. Place glass shade against backplate making sure all sides are touching the backplate surface.

Turn glass shade 45 degrees, securing inner shade return onto bracket tabs. Level square shade to center within outer box. Repeat steps for removal.