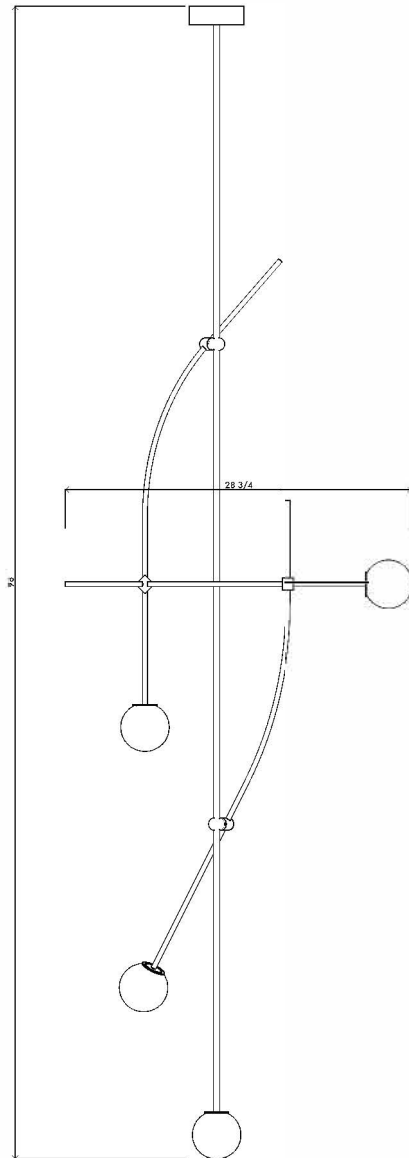
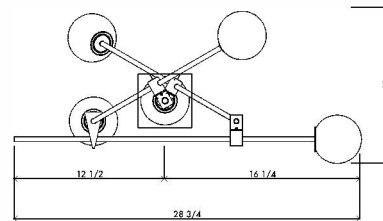


TEMPO 8' tall chandelier



01
FRONT
1" = 1/16"



02
TOP
1" = 1/16"

Handmade in Los Angeles.
Hardwired.

FINISHES

Backplate, rods, and hardware in blackened or satin brass.
Sand-blasted white glass globe shades.

DIMENSIONS

Width 28 3/4" | 73 cm |
Depth 13" | 33 cm |
Height 96" | 243.8 cm |

LAMPING

4x G9 3.5W Bipin base
Dimmable.
120 V / 240 V
UL, CE Listed.

