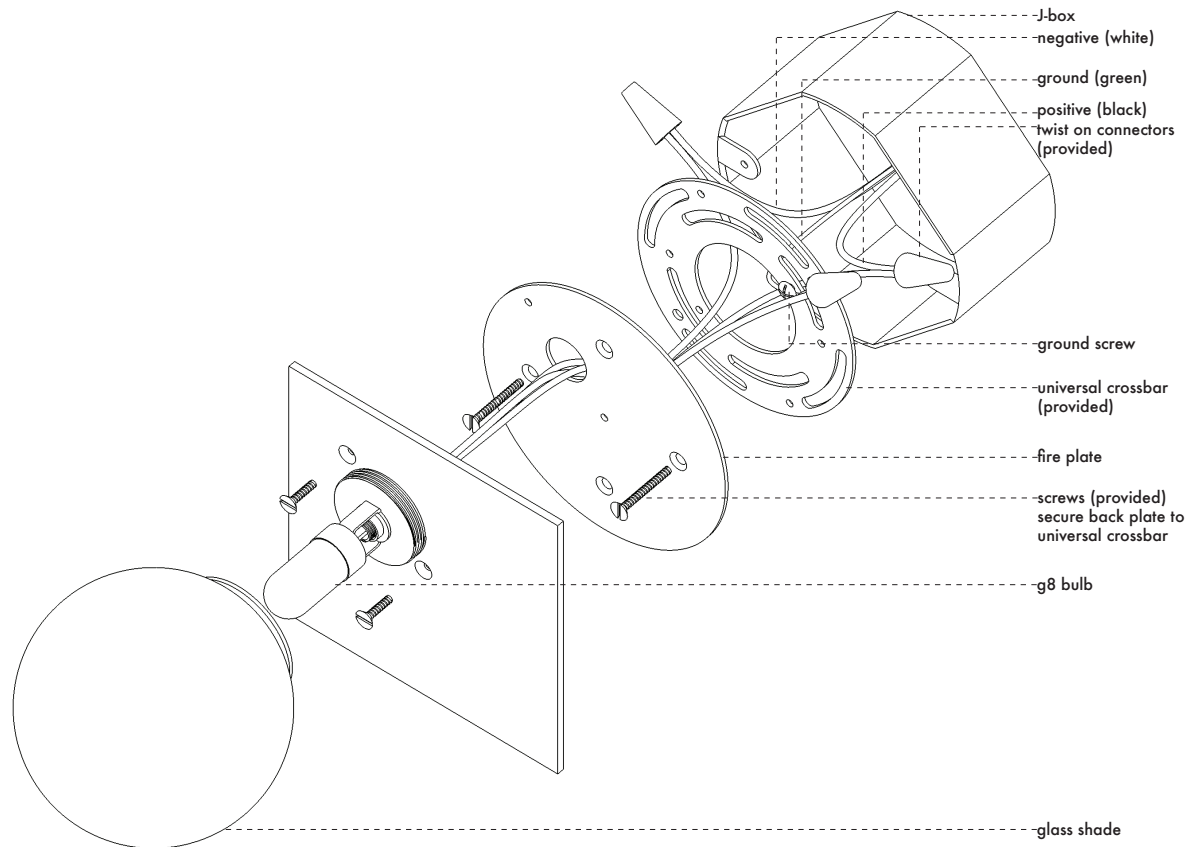


## TEMPO flushmount



## WIRING INSTRUCTIONS

1. Attach universal crossbar to J-box, aligning holes to desired location in regard to fire plate mounting holes and globe orientation.
2. Connect positive supply wire (typically black or the smooth, unmarked side of the two-conductor cord) to positive fixture lead with appropriately sized twist on connector.
3. Connect negative supply wire (typically white or the ribbed, marked side of the two-conductor cord) to negative fixture lead.
4. Please refer to the grounding instructions to complete all electrical connections.
5. Tuck the connected wires into the junction box. Align screw holes from back plate to the fire plate. Thread the screws through, tightening the back plate flush to the wall.

## GROUNDING INSTRUCTIONS

For positive grounding in a 3-wire electrical system, fasten the fixture ground wire (typically copper or green plastic coated) to the fixture mounting crossbar with the ground screw.

Note: On straps for screw support fixtures, first install the two mounting screws in strap. Any remaining tapped hole may be used for the ground screw.

## LIGHT BULB REPLACEMENT

It is recommended to use a soft cloth or gloves when handling this fixture.

Gently rotate glass shade counter clockwise to release from back plate.

Remove bulb by pulling it from socket and replace.

Rotate glass shade clockwise to secure to back plate.

Do not over tighten.