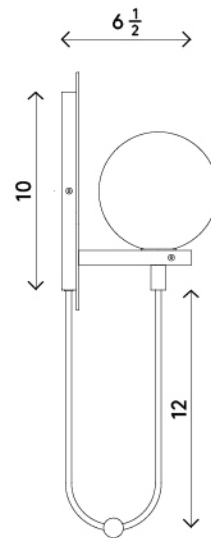
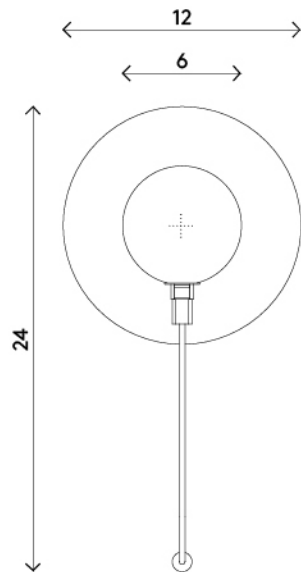


Materials	Steel frame and backplate Handblown, sandblasted glass shades
Dimensions	12 in (30.4 cm) W x 6 1/2 in (15.2 cm) D x 24 in (60.9 cm) H OAH adjust upon request
Weight	8 lbs (3.4 kg)
Packing	16 in (40.6 cm) W x 16 in (40.6 cm) D x 16 in (40.6 cm) H 10 lbs (4.5 kg)
Backplate	12 in (30.4 cm) W x 1 3/8 in (3.4 cm) D x 12 in (30.4 cm) H J-box location at center
Lamping	1 x G8 socket G8 LED bulbs (provided) 2.5W 2700K 350 lm

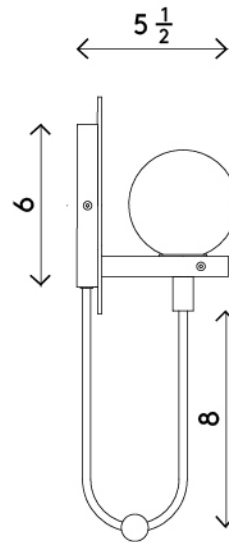
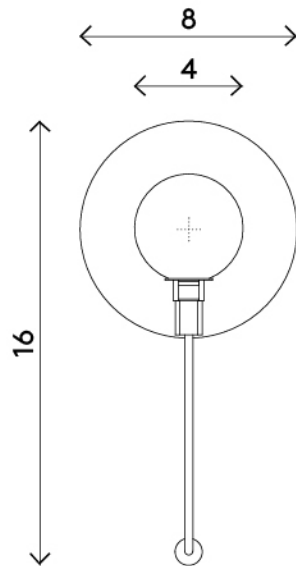
Finishes	Frame
	● Polished chrome
	● Polished brass
	● Polished black nickel
	Globe glossy or sandblasted
	● White smoke
	● Creme Brown
	● Beige
	● Opal white



Bulb life	25,000 hrs
Dimming	10-100%. Wattage +/- 10% Lumen Values +/- 5Lms CRI +/- 5% Fully tested with LUTRON® DVCL, DVEL
Voltage	120 V/240
Certification	UL, CE listed Damp rated
	Handmade in Los Angeles Hardwired

Materials	Steel frame and backplate Handblown, sandblasted glass shades
Dimensions	8 in (20.3 cm) W x 5 1/2 in (13.9 cm) D x 16 in (40.6 cm) H
Weight	5 lbs (2.2 kg)
Packing	16 in (40.6 cm) W x 16 in (40.6 cm) D x 16 in (40.6 cm) H 10 lbs (4.5 kg)
Backplate	8 in (20.3 cm) W x 1 3/8 in (3.4 cm) D x 8 in (20.3 cm) H J-box location at center
Lamping	1 x G8 socket G8 LED bulbs (provided) 2.5W 2700K 350 lm

Finishes	Frame
	● Polished chrome
	● Polished brass
	● Polished black nickel
	Globe glossy or sandblasted
	● White smoke
	● Creme Brown
	● Beige
	● Opal white



Bulb life	25,000 hrs
Dimming	10-100%. Wattage +/- 10% Lumen Values +/- 5Lms CRI +/- 5% Fully tested with LUTRON® DVCL, DVEL
Voltage	120 V/240
Certification	UL, CE listed Damp rated
	Handmade in Los Angeles Hardwired