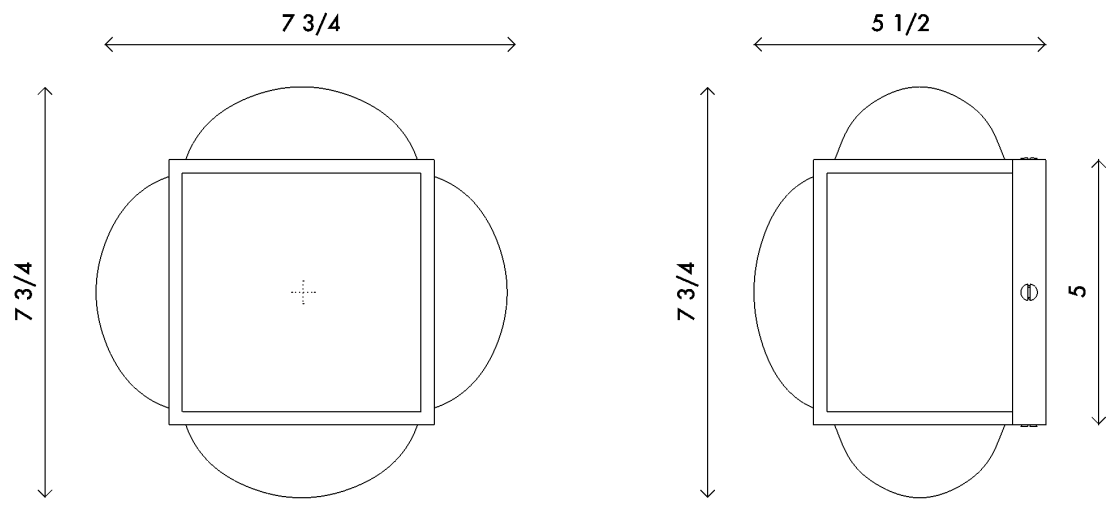


Materials	Brass Handblown glass
Dimensions	W 7¾ in (20 cm) x D 5½ in (14 cm) x H 7¾ in (20 cm)
Weight	6lbs (2.7kg)
Packing	W 10 in (25.5 cm) x D 10 in (25.5 cm) x H 8 in (20.5 cm) 10lbs (4.5kg)
Backplate	W 5 in (13 cm) x D ½ in (1.5 cm) x H 5 in (13 cm) J-box location indicated at center
Lamping	1 x E12 socket G16.5 LED bulbs (provided) 3.8W 2700K 350 lm

Finishes	Frame
●	Satin Brass
●	Matte Black
	Glass
●	Clear Grey
●	Opal White







Handmade in Los Angeles



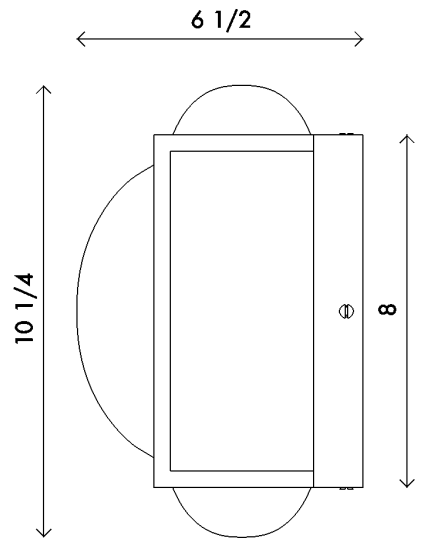
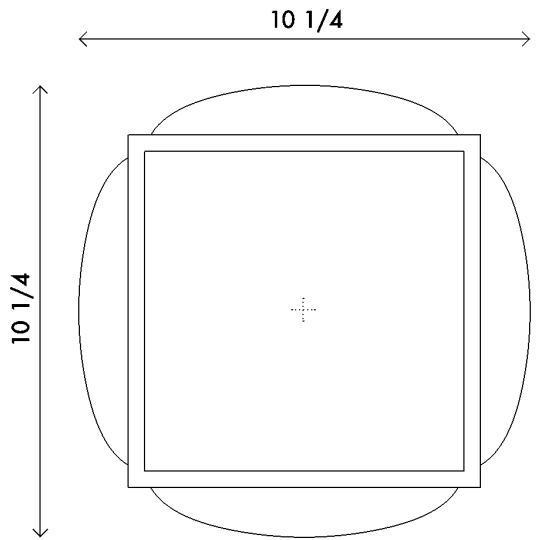
Bulb life	15,000 hrs
Dimming	10-100%. Wattage +/- 10% Lumen Values +/- 5Lms CRI +/- 5% Fully tested with LUTRON® DVCL, DVEL
Voltage	120 V / 240
Certification	UL, CE listed Damp rated
	Handmade in Los Angeles Hardwired

Materials	Brass Handblown glass
Dimensions	W 10 1/4 in (26 cm) x D 6 1/2 in (17 cm) x H 10 1/4 in (26 cm)
Weight	12lbs (5.5kg)
Packing	W 14 in (35.5 cm) x D 14 in (35.5 cm) x H 10 in (25.5 cm) 16lbs (7.2kg)
Backplate	W 8 in (20.5 cm) x D 1 in (2.5 cm) x H 8 in (20.5 cm) J-box location indicated at center
Lamping	1 x E26 socket G16.5 LED bulbs (provided) 3.8W 2700K 350 lm

Finishes	Frame
	Satin Brass
	Matte Black
	Glass
	Clear Grey
	Opal White







Handmade in Los Angeles



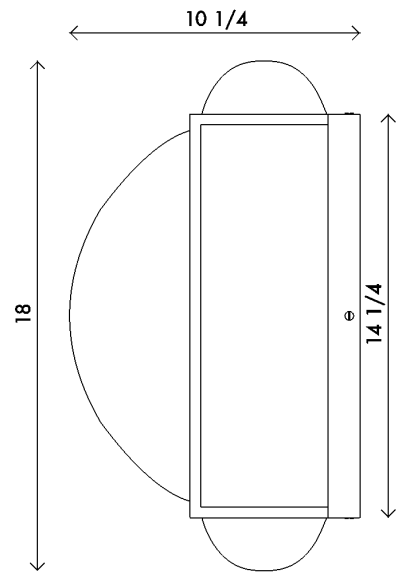
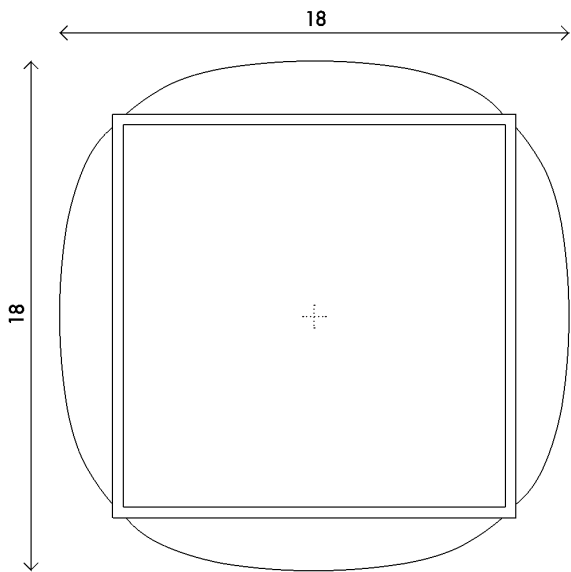
Bulb life	15,000 hrs
Dimming	10-100%. Wattage +/- 10% Lumen Values +/- 5Lms CRI +/- 5% Fully tested with LUTRON® DVCL, DVEL
Voltage	120 V / 240
Certification	UL, CE listed Damp rated
	Handmade in Los Angeles Hardwired

Materials	Brass Handblown glass
Dimensions	W 18 in (46 cm) x D 10 1/4 in (26 cm) x H 18 in (46 cm)
Weight	20lbs (9kg)
Packing	W 20 in (51 cm) x D 20 in (51 cm) x H 14 in (35.5 cm) 24lbs (10.8kg)
Backplate	W 14 1/4 in (36 cm) x D 1 in (2.5 cm) x H 14 1/4 in (36 cm) J-box location indicated at center
Lamping	3 x E26 socket G16.5 LED bulbs (provided) 3.8W 2700K 350 lm

Finishes	Frame
	Satin Brass
	Matte Black
	Glass
	Clear Grey
	Opal White



Handmade in Los Angeles



Bulb life	15,000 hrs
Dimming	10-100%. Wattage +/- 10% Lumen Values +/- 5Lms CRI +/- 5% Fully tested with LUTRON® DVCL, DVEL
Voltage	120 V / 240
Certification	UL, CE listed Damp rated
	Handmade in Los Angeles Hardwired