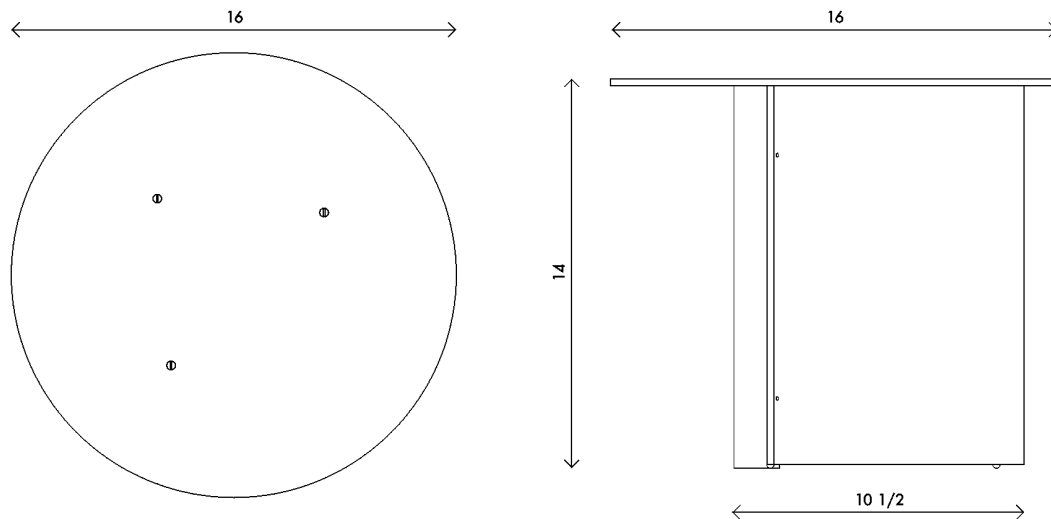


Materials	Aluminum with satin brass screws
Dimensions	16 in (41 cm) W x 16 in (41 cm) D x 13¾ in (35 cm) H
Weight	6 lbs (2.7 kg)
Packing	18 in (45.7 cm) W x 18 in (45.7 cm) D x 24 in (61 cm) H 10 lbs (4.5 kg)

Finishes	<ul style="list-style-type: none"> Satin Brass Matte Aluminum Matte Black Burnished Copper Polished Brass
----------	--



Handmade in Los Angeles



Materials Aluminum with satin brass screws

Dimensions 16 in (41 cm) W x 16 in (41 cm) D x 20 in (51 cm) H

Weight 12 lbs (5.4 kg)

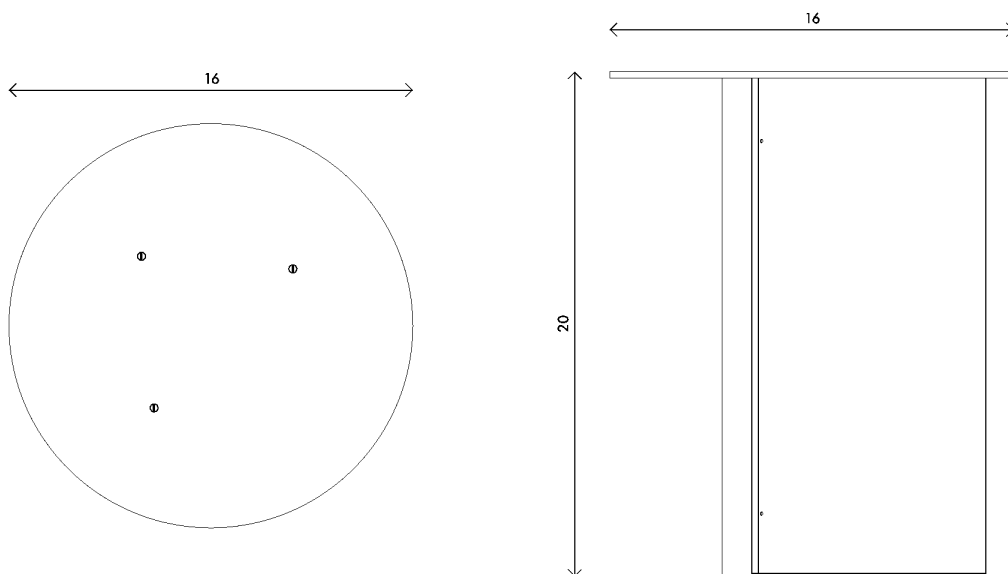
Packing 18 in (45.7 cm) W x 18 in (45.7 cm) D x 24 in (61 cm) H
16 lbs (7.2 kg)

Finishes

- Satin Brass
- Matte Aluminum
- Matte Black
- Burnished Copper
- Polished Brass



Handmade in Los Angeles



Materials Aluminum with satin brass screws

Dimensions 31 1/2 in (80 cm) W x 31 1/2 in (80 cm) D x 17 1/2 in (44.5 cm) H

Weight 24 lbs (10.9 kg)

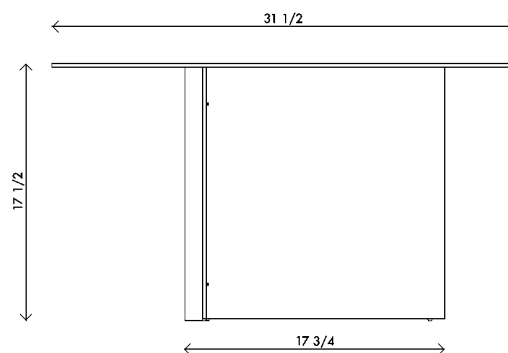
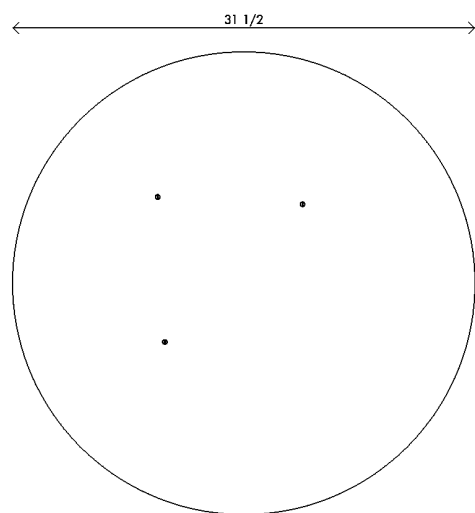
Packing White glove delivery
30 lbs (13.6 kg)

Finishes

- Satin Brass
- Matte Aluminum
- Matte Black



Handmade in Los Angeles



Materials	Aluminum with satin brass screws
Dimensions	36 in (91.5 cm) W x 36 in (91.5 cm) D x 13½ in (34 cm) H
Weight	30 lbs (13.6 kg)
Packing	White glove delivery 34 lbs (15.4 kg)

- Finishes
- Satin Brass
 - Matte Aluminum
 - Matte Black



Handmade in Los Angeles

