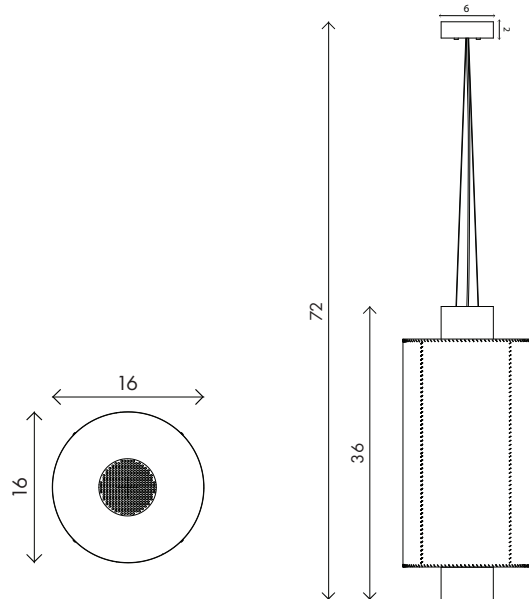


Materials	Parchment lampshade with hand-stitched leather lace Hand-finished brass hardware
Dimensions	16 in (40.6cm) W x 16 in (40.6cm) D x 36 in (71.1 cm) H
Canopy	6" D x 2" H j-box location on center
Drop Height	72" H Adjustable on-site
Lamping	8 x E26 sockets G16.5 LED bulbs (not provided) 3.8W 2700K 350 lm

Finishes	<ul style="list-style-type: none"> <li><span style="display: inline-block; width: 10px; height: 10px; background-color: #c8a27d; border-radius: 50%; margin-right: 5px;"></span> Satin Brass</li> <li><span style="display: inline-block; width: 10px; height: 10px; background-color: #d4c07d; border-radius: 50%; margin-right: 5px;"></span> Polished Brass</li> <li><span style="display: inline-block; width: 10px; height: 10px; background-color: #808080; border-radius: 50%; margin-right: 5px;"></span> Silver</li> </ul>
Shade	<ul style="list-style-type: none"> <li><span style="display: inline-block; width: 10px; height: 10px; background-color: #f5e6d3; border-radius: 50%; margin-right: 5px;"></span> Parchment with Leather Lace</li> </ul>



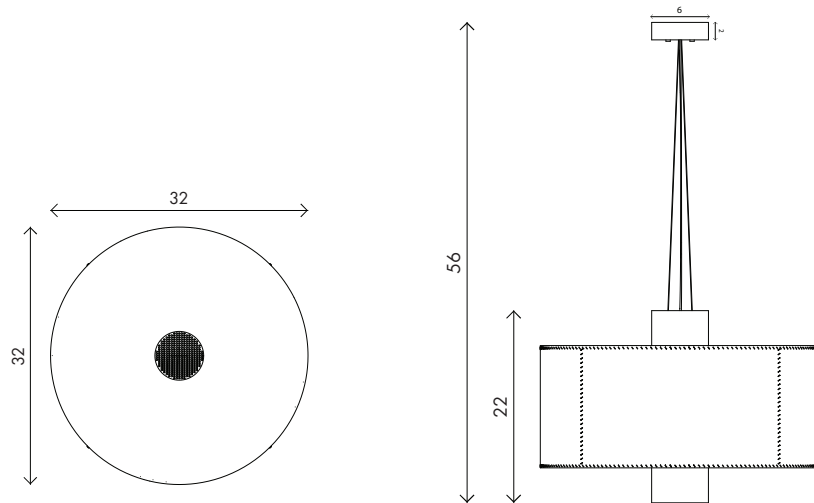
Handmade in Los Angeles



Bulb life	15,000 hrs
Dimming	10-100%. Wattage +/- 10% Lumen Values +/- 5Lms CRI +/- 5% Fully tested with LUTRON® DVCL, DVEL
Voltage	120 V / 240
Certification	UL, CE listed
Type	Hardwired

Materials	Parchment lampshade with hand-stitched leather lace Hand-finished brass hardware
Dimensions	16 in (40.6cm) W x 16 in (40.6cm) D x 28 in (71.1 cm) H
Canopy	6" D x 2" H J-box location indicated off center
Drop Height	62" H adjustable on site
Lamping	4 x E26 sockets G16.5 LED bulbs (not provided) 3.8W 2700K 350 lm

Finishes	 Satin Brass
	 Polished Brass
	 Silver
Shade	 Parchment with Leather Lace



Handmade in Los Angeles

Bulb life	15,000 hrs
Dimming	10-100%. Wattage +/- 10% Lumen Values +/- 5Lms CRI +/- 5% Fully tested with LUTRON® DVCL, DVEL
Voltage	120 V / 240
Certification	UL, CE listed
Type	Hardwired