

It is recommended to use a soft cloth or gloves when handling this fixture.

Assembly Instructions

1. Unpack and set glass on a smooth protected surface to avoid scratching.

2. Unscrew set screw holding detachable arm, set aside.

BOTTOM

3. Gently push bulb into socket 4.

4. Place single glass 4 over socket.

MIDDLE

5. Gently push bulbs into sockets 2 + 3.

6. Hold single glass 3 over socket 3 and secure top screws.

7. Rest middle glass over socket 2.

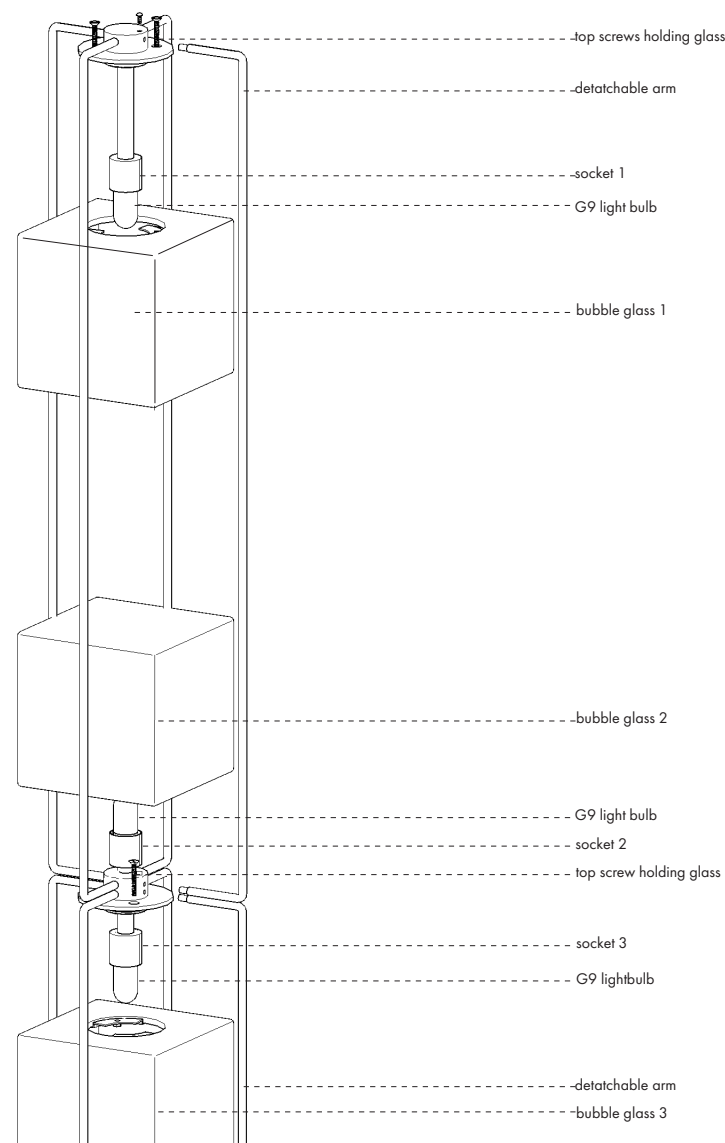
TOP

8. Gently push bulb into socket 1.

9. Hold glass 1 against socket 1 and secure top screws.

10. Fit detachable arm into appropriate holes.

11. Secure set screw into top cluster to hold in place.



It is recommended to use a soft cloth or gloves when handling this fixture.

Assembly Instructions

1. Unpack and set glass on a smooth protected surface to avoid scratching.

2. Unscrew set screw holding detachable arm, set aside.

BOTTOM

3. Gently push bulb into socket 4.

4. Place single glass 4 over socket.

MIDDLE

5. Gently push bulbs into sockets 2 + 3.

6. Hold single glass 3 over socket 3 and secure top screws.

7. Rest middle glass over socket 2.

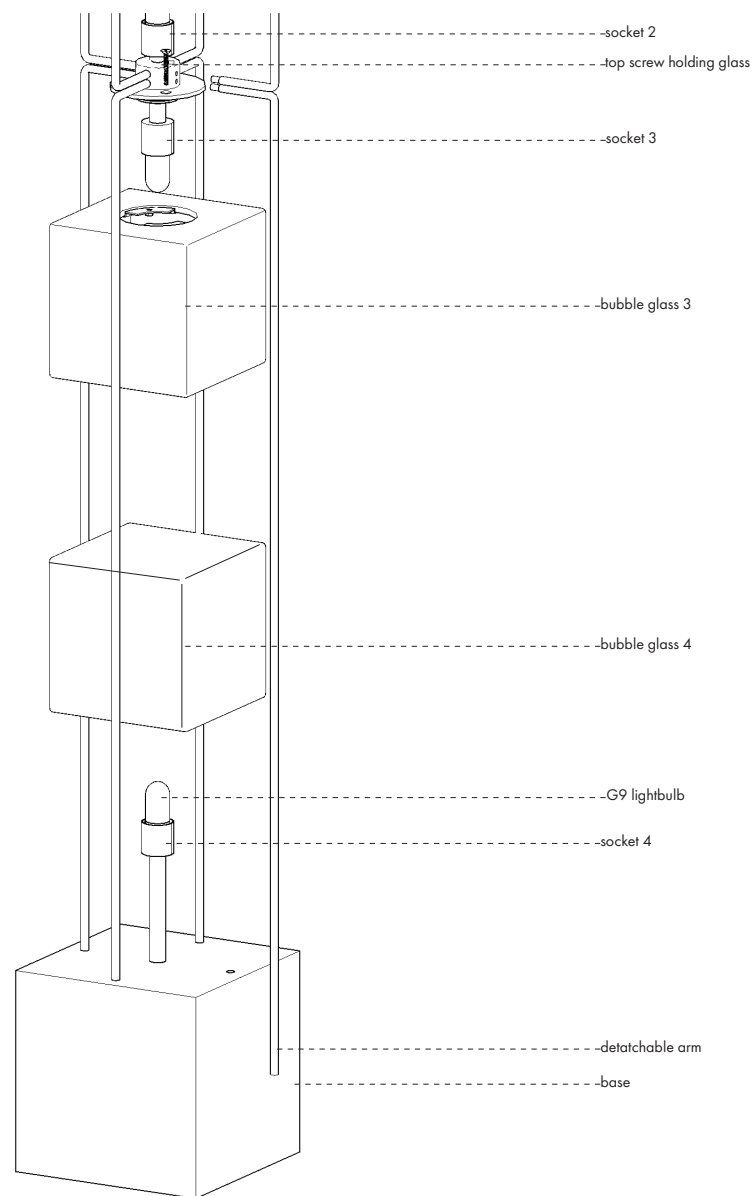
TOP

8. Gently push bulb into socket 1.

9. Hold glass 1 against socket 1 and secure top screws.

10. Fit detachable arm into appropriate holes.

11. Secure set screw into top cluster to hold in place.



It is recommended to use a soft cloth or gloves when handling this fixture.

Assembly Instructions

1. Unpack and set glass on a smooth protected surface to avoid scratching.
2. Unscrew set screw holding detachable arm, set aside.

BOTTOM

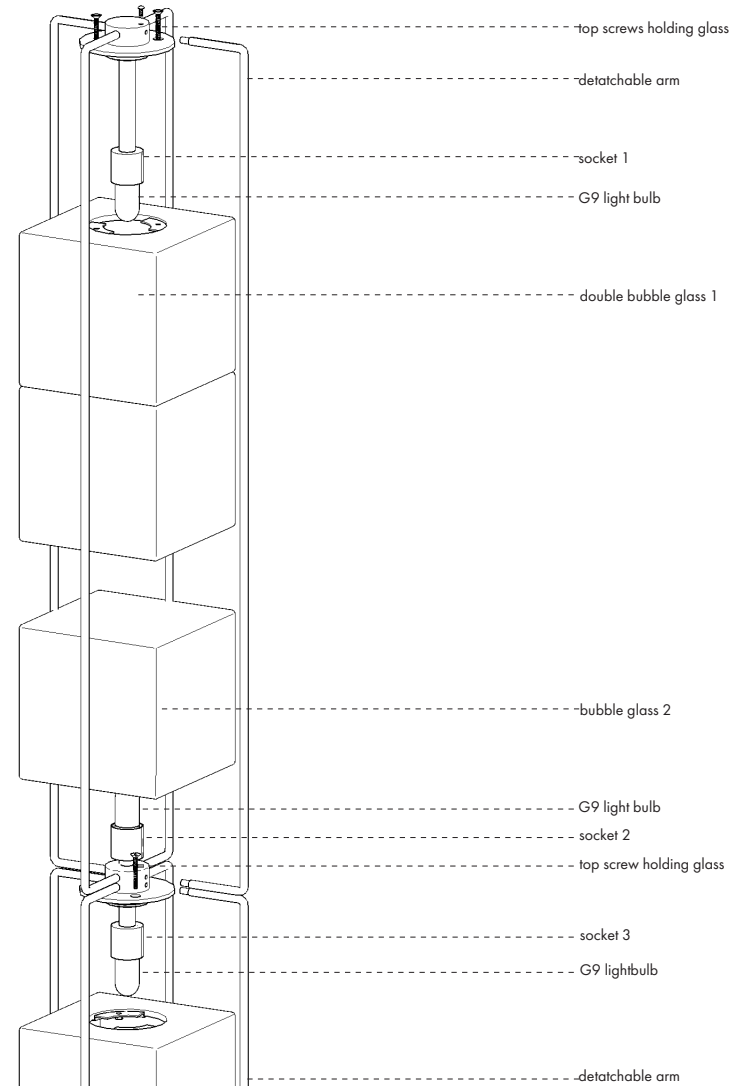
3. Gently push bulb into socket 4.
4. Place double glass 4 over socket.

MIDDLE

5. Gently push bulbs into sockets 2 + 3.
6. Hold single glass 3 over socket 3 and secure top screws.
7. Rest middle glass over socket 2.

TOP

8. Gently push bulb into socket 1.
9. Hold double glass 1 against socket 1 and secure top screws.
10. Fit detachable arm into appropriate holes.
11. Secure set screw into top cluster to hold in place.



It is recommended to use a soft cloth or gloves when handling this fixture.

Assembly Instructions

1. Unpack and set glass on a smooth protected surface to avoid scratching.
2. Unscrew set screw holding detachable arm, set aside.

BOTTOM

3. Gently push bulb into socket 4.
4. Place double glass 4 over socket.

MIDDLE

5. Gently push bulbs into sockets 2 + 3.
6. Hold single glass 3 over socket 3 and secure top screws.
7. Rest middle glass over socket 2.

TOP

8. Gently push bulb into socket 1.
9. Hold double glass 1 against socket 1 and secure top screws.
10. Fit detachable arm into appropriate holes.
11. Secure set screw into top cluster to hold in place.

