

It's recommended to use a soft cloth or gloves when handling the fixture.
It's recommended to use a lift to install the fixture.

Wiring Instructions

1. Attach universal crossbar to J-box aligning holes in regard to fire plate screw holes and desired fixture direction.
2. Using the fire plate holes as a guide, mark locations for dry wall anchors. Install anchors flush to ceiling. Fasten dry wall screws into dry wall anchors to install fire plate flush to ceiling.
3. Using provided screws, secure fire plate to J- box
4. With the help of another person, lift fixture by canopy. Insert C hooks into side holes to suspend canopy from fire plate.
5. Connect positive supply wire (typically black or the smooth, unmarked side of the two-conductor cord) to positive fixture lead with appropriately sized twist on connector.
6. Connect negative supply wire (typically white or the ribbed, marked side of the two-conductor cord) to negative fixture lead.
7. Please refer to the grounding instructions to complete all electrical connections.
8. Tuck the connected wires into the J-box.

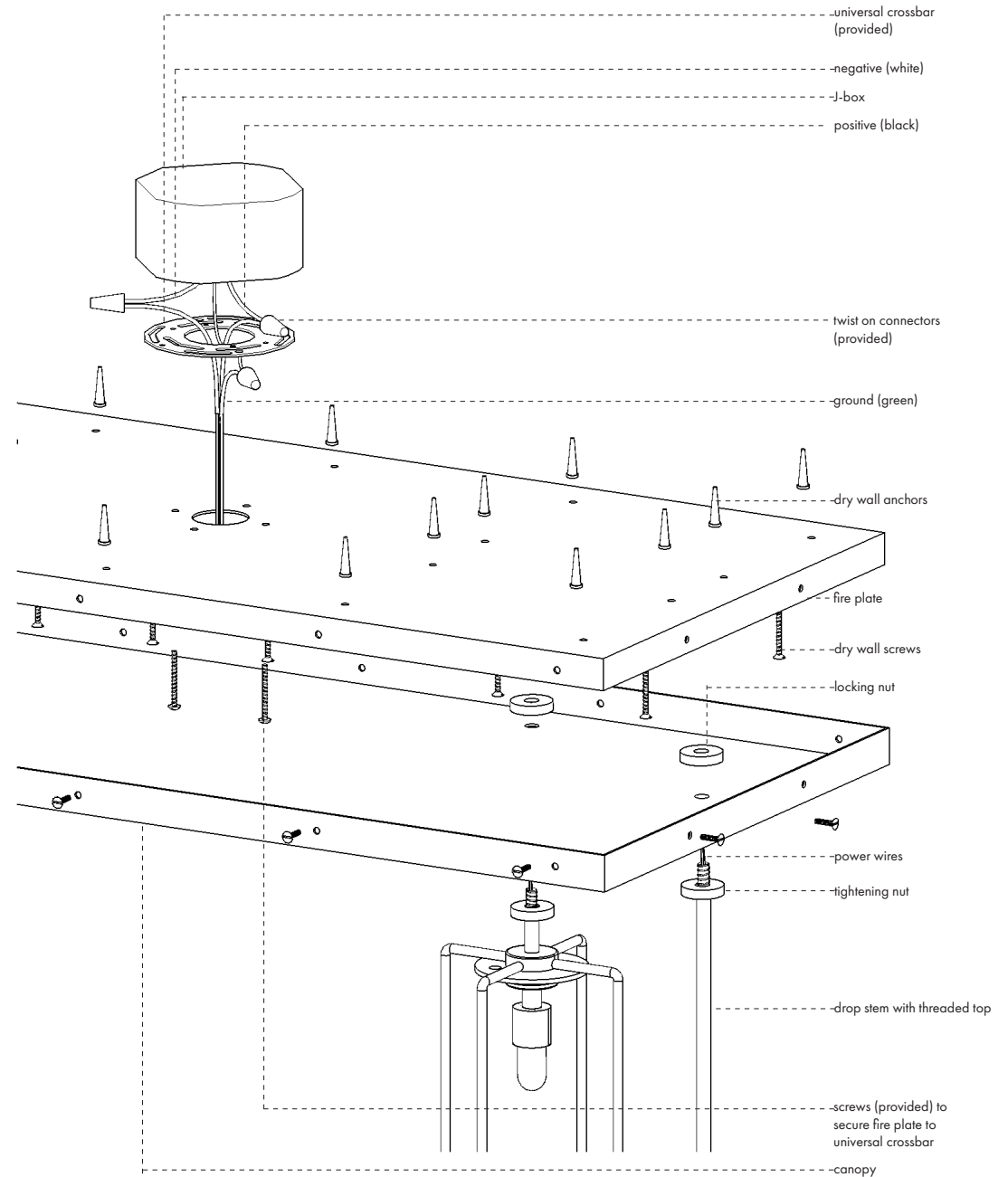
Grounding Instructions

For positive grounding in a 3-wire electrical system, fasten the fixture ground wire (typically copper or green plastic coated) to the fixture mounting crossbar with the ground screw.

Note: On straps for screw support fixtures, first install the two mounting screws in strap. Any remaining tapped hole may be used for the ground screw.

Assembly Instructions

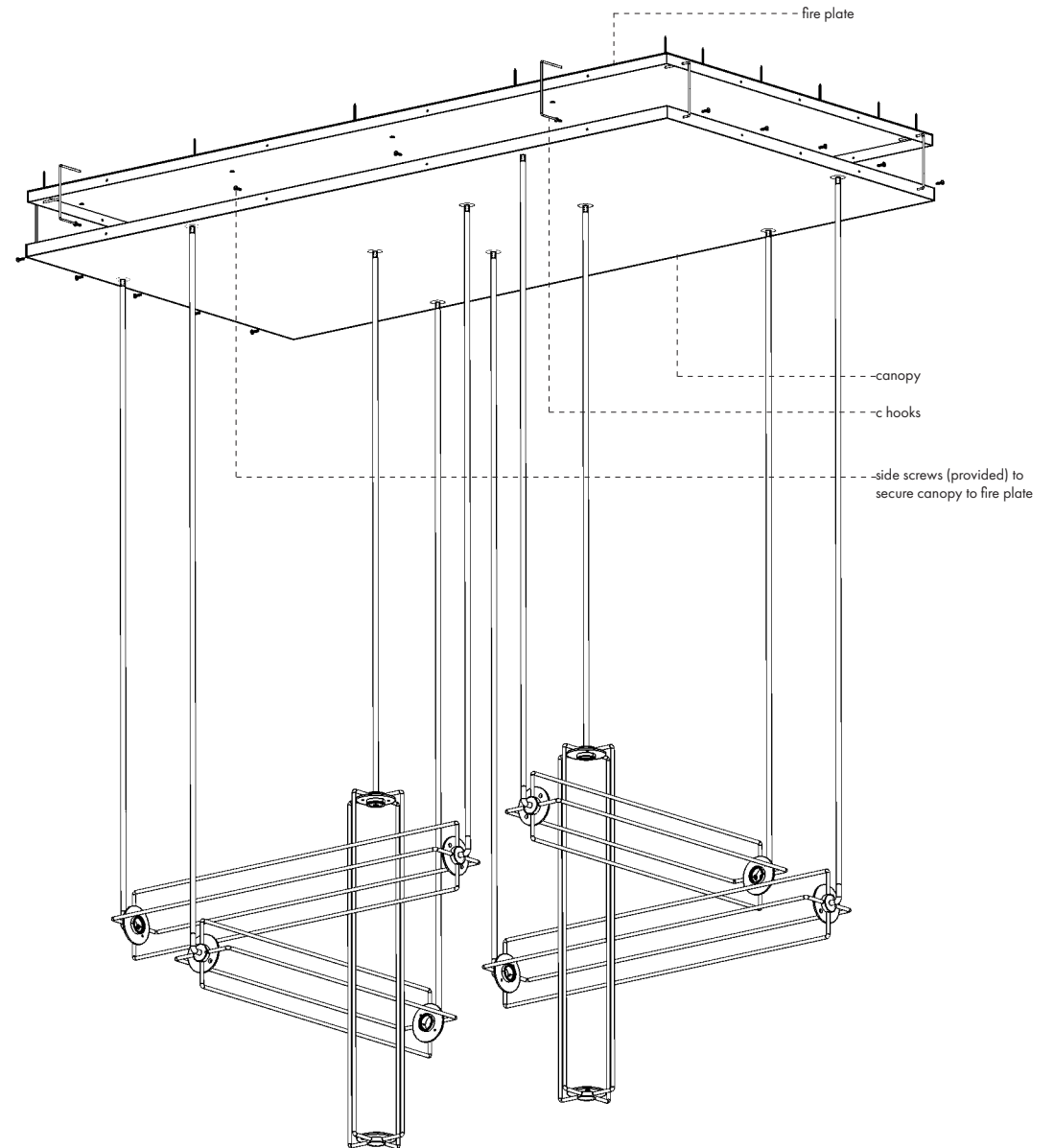
1. Insert threaded portion of drop stem through hole on canopy.
2. Screw locking nut to drop stem till secure.
3. Ensure tightening nut is loose enough to allow rod adjustment.
4. Use level to adjust rods into alignment. Secure placement by tightening nut.



It's recommended to use a soft cloth or gloves when handling the fixture.
It's recommended to use a lift to install the fixture.

Assembly Instructions

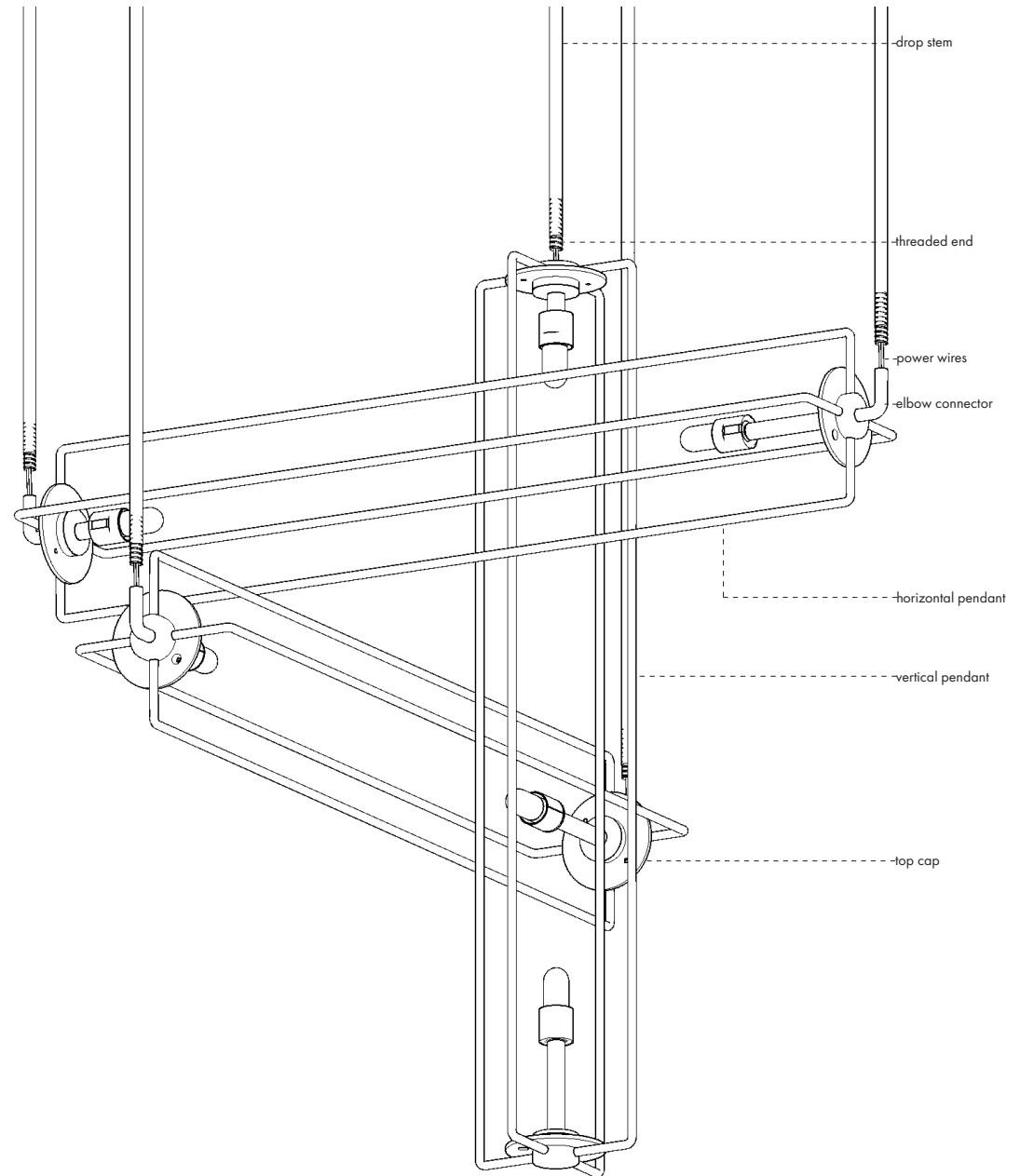
1. Support all sides of canopy and remove C hooks.
2. Lift canopy over fire plate and secure in place using provided side screws.



It's recommended to use a soft cloth or gloves when handling the fixture.

Assembly Instructions

1. Feed power wires from pendants through each drop stem.
2. For horizontal pendants, thread drop stems into elbow connectors.
3. For vertical pendants, thread drop stems into top cap.



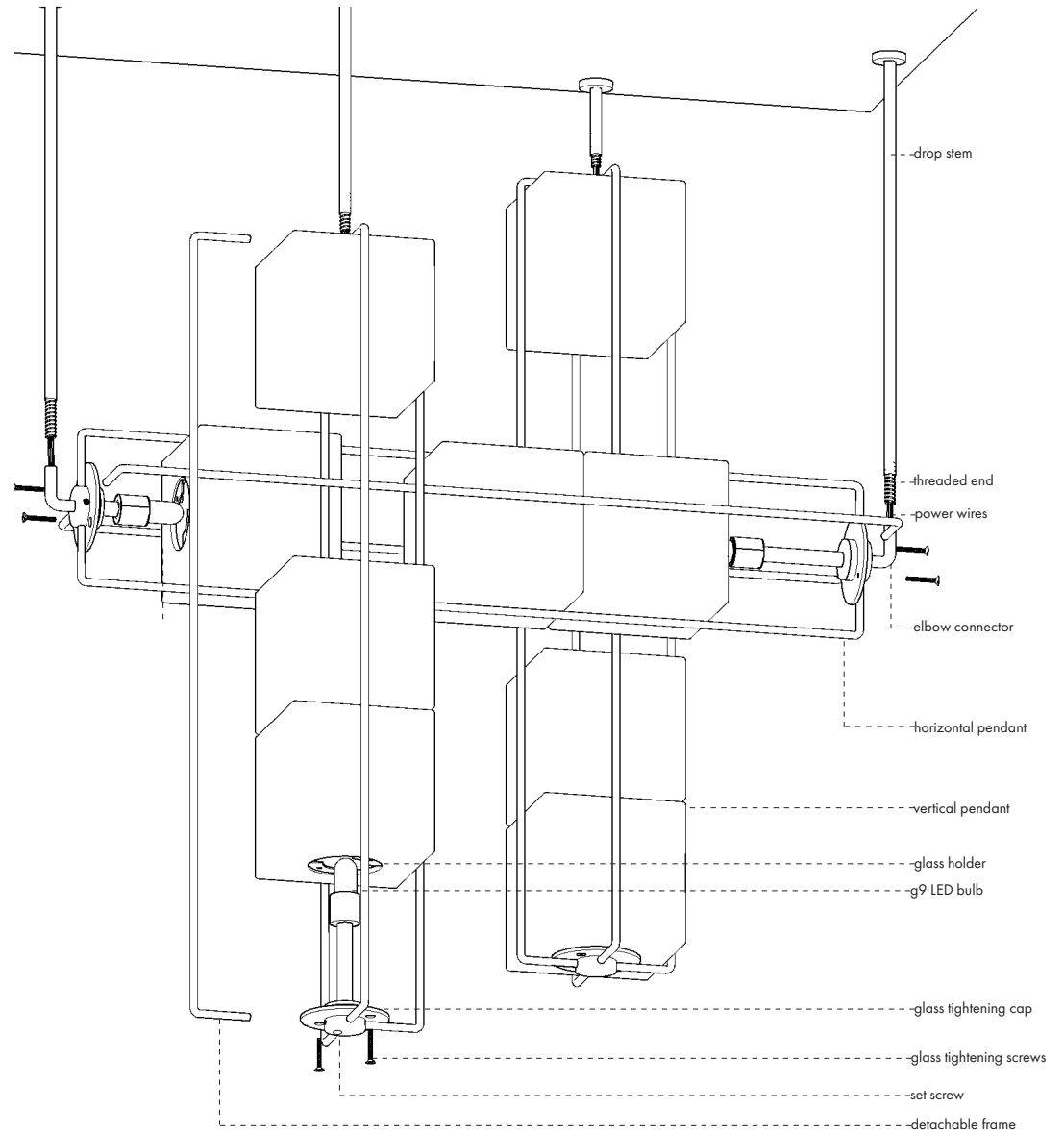
It's recommended to use a soft cloth or gloves when handling the fixture.

Assembly Instructions

1. Loosen set screws to remove detachable frame.
2. Slide glass shades over bulbs and sockets.
3. Using provided screws fasten glass to tightening cap.
4. Place detachable frames back into holes at tightening cap. Secure with set screw.
5. Secure fixture connectors at intersections where pendant frames meet perpendicularly.

Light Bulb Replacement

1. Unscrew glass tightening screws from glass tightening cap.
2. With the help of another person, slide glass cubes inside frame to reveal LED bulb.
3. Remove bulb by gently pulling it from socket and replace.
4. Slide glass cube back in place fitting against cap.
5. Use tightening screws to secure glass cube in place.



It's recommended to use a soft cloth or gloves when handling the fixture.

Assembly Instructions

1. Loosen set screws to remove detachable frame.
2. Slide glass shades over bulbs and sockets.
3. Using provided screws fasten glass to tightening cap.
4. Place detachable frames back into holes at tightening cap. Secure with set screw.
5. Secure fixture connectors at intersections where pendant frames meet perpendicularly.

Light Bulb Replacement

1. Unscrew glass tightening screws from glass tightening cap.
2. With the help of another person, slide glass cubes inside frame to reveal LED bulb.
3. Remove bulb by gently pulling it from socket and replace.
4. Slide glass cube back in place fitting against cap.
5. Use tightening screws to secure glass cube in place.

