

It's recommended to use a soft cloth or gloves when handling the fixture.

Wiring Instructions

1. Attach universal crossbar to J-box aligning holes in regard to fire plate screw holes and desired fixture direction.
2. Using the fire plate holes as a guide, mark locations for dry wall anchors. Install anchors flush to ceiling. Fasten dry wall screws into dry wall anchors to install fire plate flush to ceiling.
3. Using provided screws, secure fire plate to J- box
4. Secure fixture to canopy with provided nuts. With the help of another person, lift fixture by canopy.
5. Connect positive supply wire (typically black or the smooth, unmarked side of the two-conductor cord) to positive fixture lead with appropriately sized twist on connector.
6. Connect negative supply wire (typically white or the ribbed, marked side of the two-conductor cord) to negative fixture lead.
7. Please refer to the grounding instructions to complete all electrical connections.
8. Tuck the connected wires into the J-box.
9. Using provided side screws, secure canopy to fire plate.
10. To straighten fixture, push down on nipple at wire grip. Push or pull steel wire to desired length. Release nipple to lock steel wire in place. Repeat this step at pendant and canopy until desired effect is achieved.

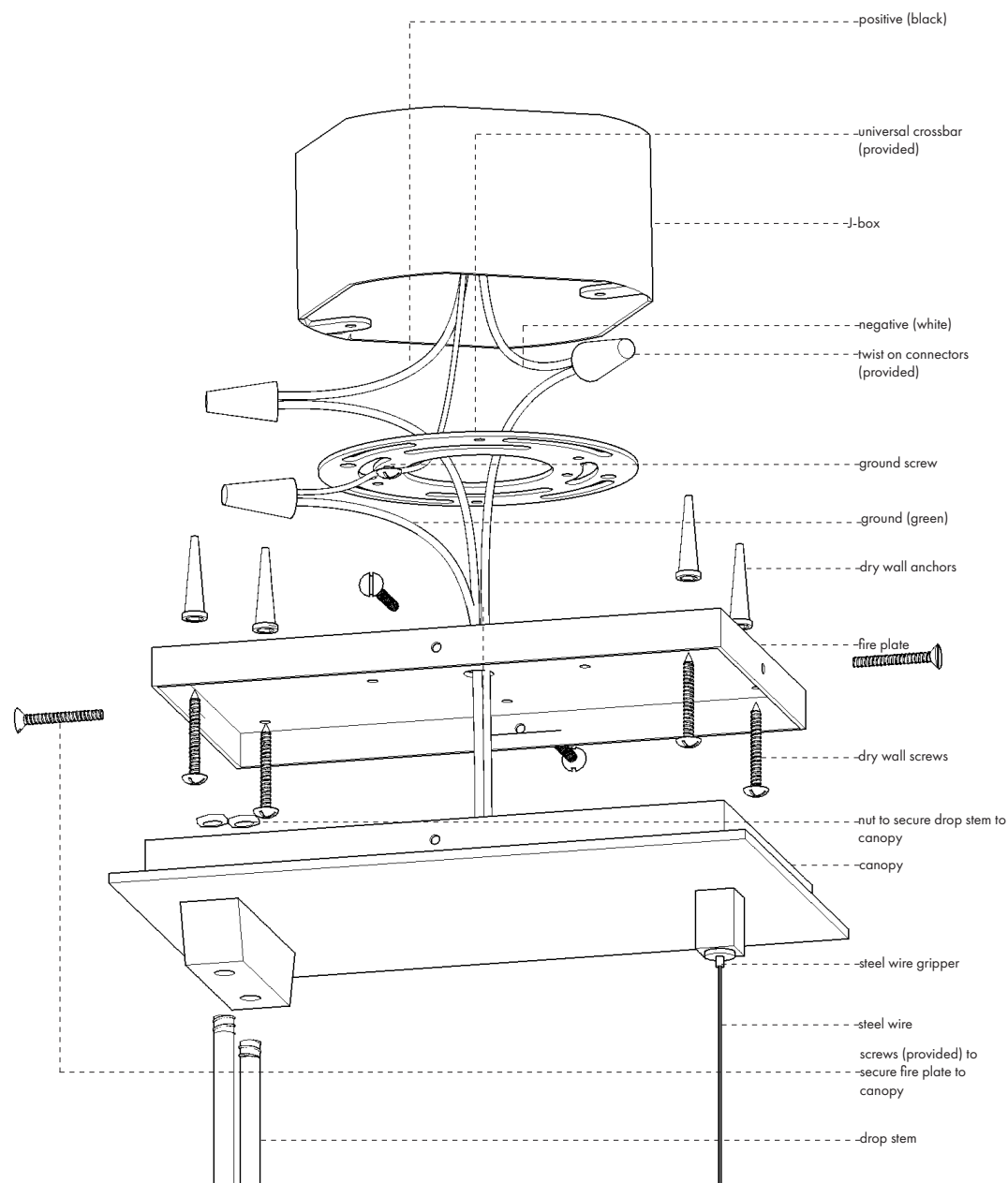
Grounding Instructions

For positive grounding in a 3-wire electrical system, fasten the fixture ground wire (typically copper or green plastic coated) to the fixture mounting crossbar with the ground screw.

Note: On straps for screw support fixtures, first install the two mounting screws in strap. Any remaining tapped hole may be used for the ground screw.

Light Bulb Replacement

1. Make sure the fixture is off.
2. Gently twist bulb in and out of socket while holding fixture body as to not strain fixture.



It's recommended to use a soft cloth or gloves when handling the fixture.

Wiring Instructions

1. Attach universal crossbar to J-box aligning holes in regard to fire plate screw holes and desired fixture direction.
2. Using the fire plate holes as a guide, mark locations for dry wall anchors. Install anchors flush to ceiling. Fasten dry wall screws into dry wall anchors to install fire plate flush to ceiling.
3. Using provided screws, secure fire plate to J- box
4. With the help of another person, lift fixture by canopy.
5. Connect positive supply wire (typically black or the smooth, unmarked side of the two-conductor cord) to positive fixture lead with appropriately sized twist on connector.
6. Connect negative supply wire (typically white or the ribbed, marked side of the two-conductor cord) to negative fixture lead.
7. Please refer to the grounding instructions to complete all electrical connections.
8. Tuck the connected wires into the J-box.
9. Using provided side screws, secure canopy to fire plate.

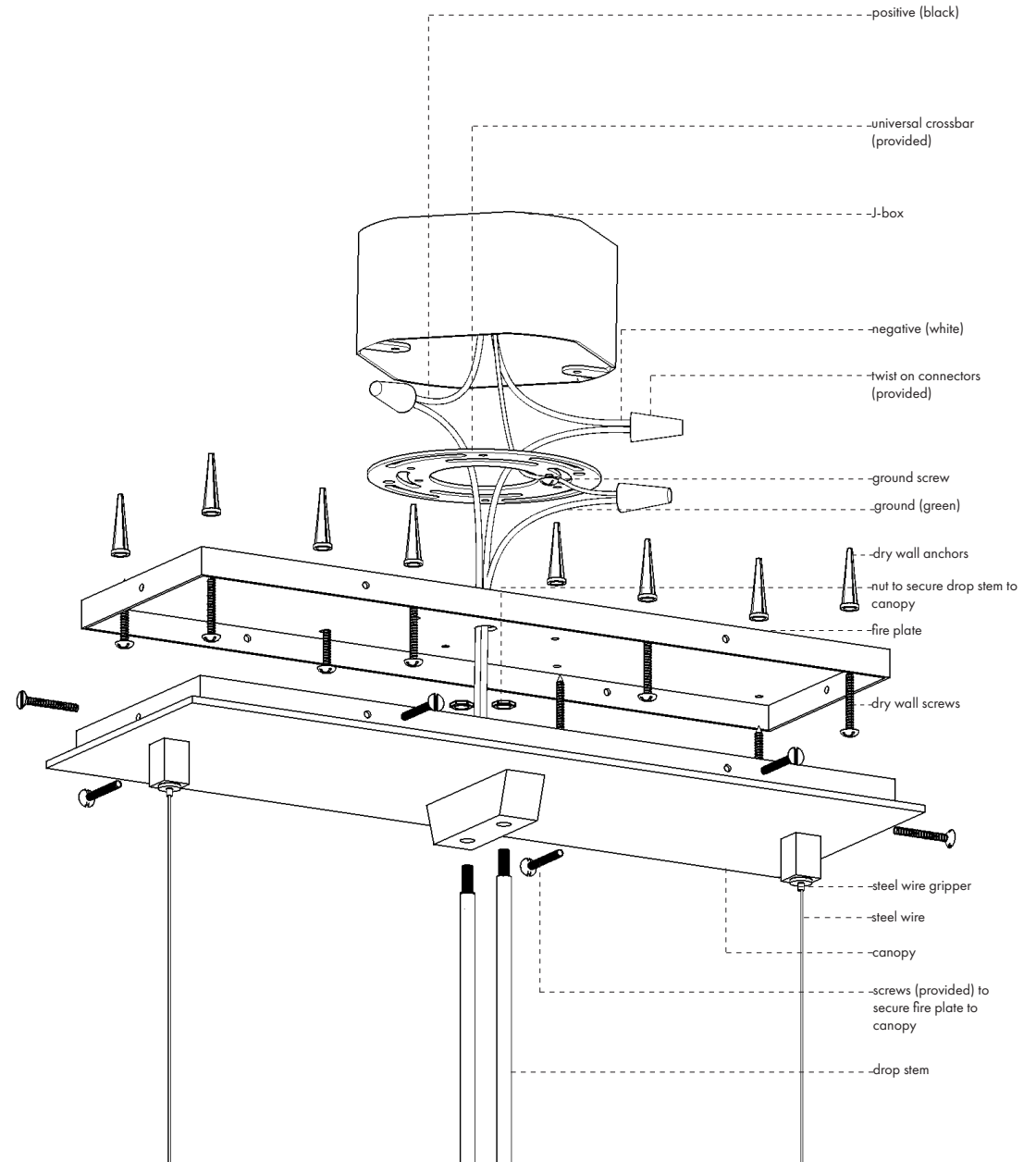
Grounding Instructions

For positive grounding in a 3-wire electrical system, fasten the fixture ground wire (typically copper or green plastic coated) to the fixture mounting crossbar with the ground screw.

Note: On straps for screw support fixtures, first install the two mounting screws in strap. Any remaining tapped hole may be used for the ground screw.

Light Bulb Replacement

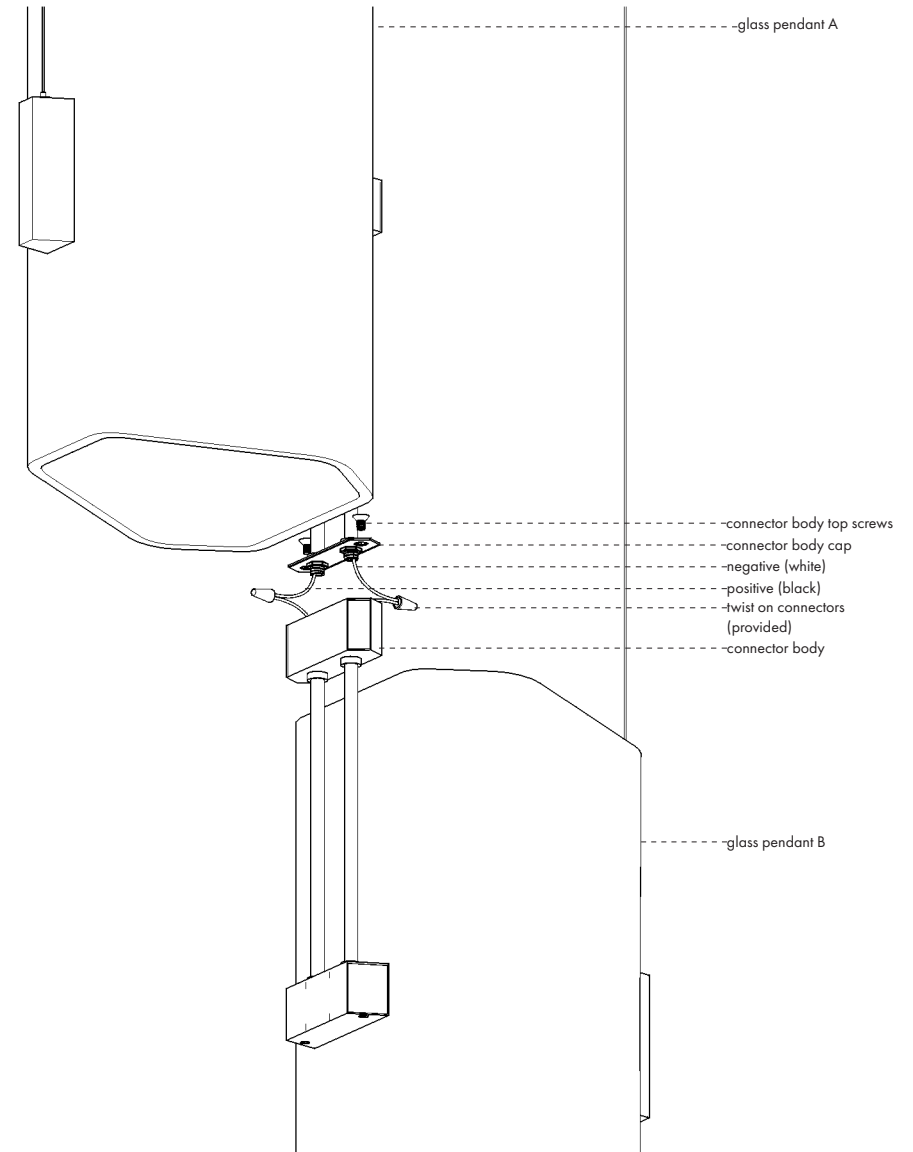
1. Make sure the fixture is off.
2. Gently twist bulb in and out of socket while holding fixture body as to not strain fixture.



It's recommended to use a soft cloth or gloves when handling the fixture.

Assembly Instructions

1. Support glass pendant B under glass pendant A, aligning connector body with connector body cap.
2. Connect positive supply wire (typically black or the smooth, unmarked side of the two-conductor cord) to positive fixture lead with appropriately sized twist on connector.
3. Place all wires into connector body. Secure connector body cap to top of connector body using provided top screws.
4. To straighten fixture, push down on nipple at wire grip. Push or pull steel wire to desired length. Release nipple to lock steel wire in place. Repeat this step at all pendants and canopy until desired effect is achieved.



It's recommended to use a soft cloth or gloves when handling the fixture.

Wiring Instructions

1. Attach universal crossbar to J-box aligning holes in regard to fire plate screw holes and desired fixture direction.
2. Using the fire plate holes as a guide, mark locations for dry wall anchors. Install anchors flush to ceiling. Fasten dry wall screws into dry wall anchors to install fire plate flush to ceiling.
3. Using provided screws, secure fire plate to J- box
4. With the help of another person, lift fixture by canopy.
5. Connect positive supply wire (typically black or the smooth, unmarked side of the two-conductor cord) to positive fixture lead with appropriately sized twist on connector.
6. Connect negative supply wire (typically white or the ribbed, marked side of the two-conductor cord) to negative fixture lead.
7. Please refer to the grounding instructions to complete all electrical connections.
8. Tuck the connected wires into the J-box.
9. Using provided side screws, secure canopy to fire plate.

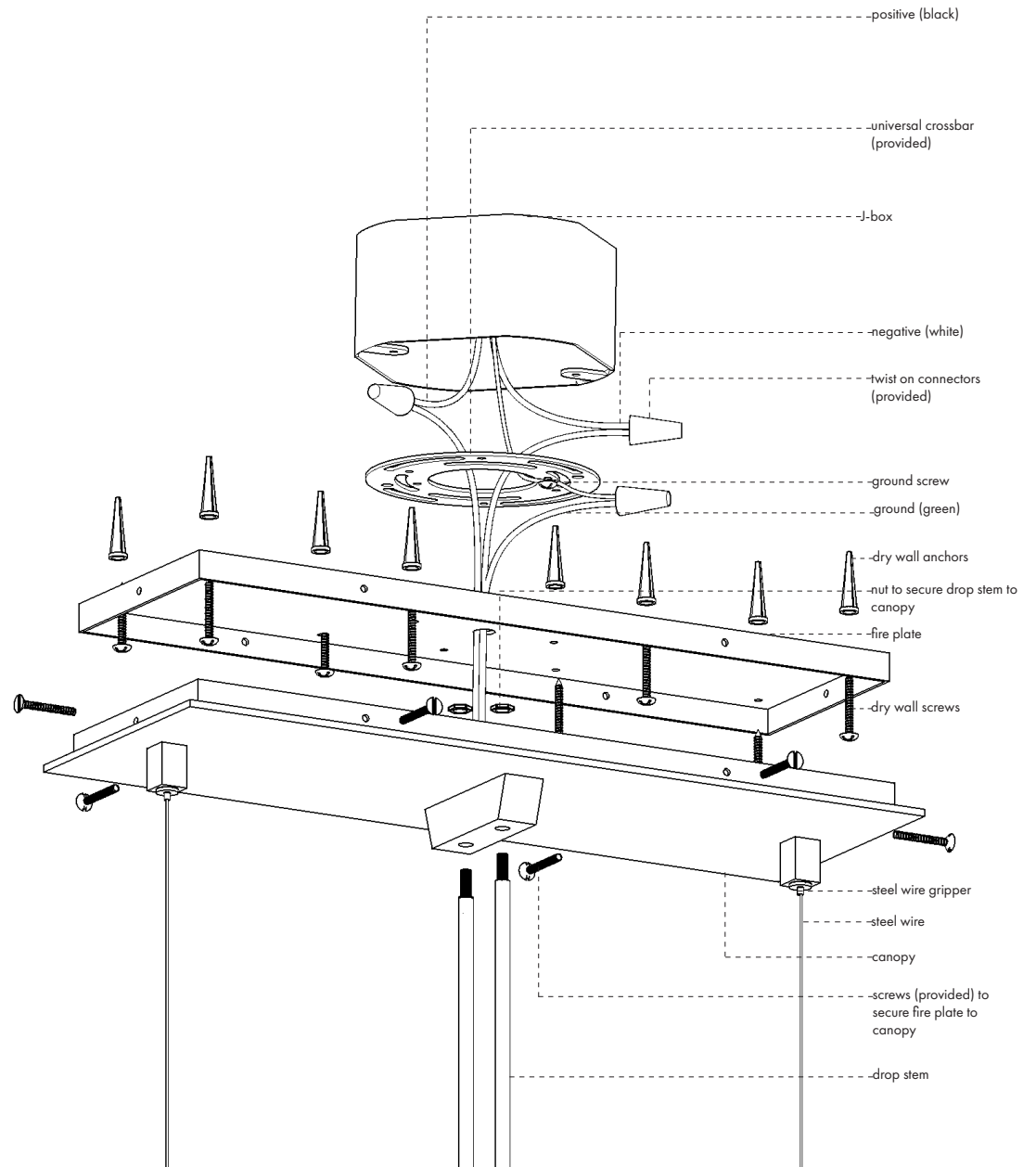
Grounding Instructions

For positive grounding in a 3-wire electrical system, fasten the fixture ground wire (typically copper or green plastic coated) to the fixture mounting crossbar with the ground screw.

Note: On straps for screw support fixtures, first install the two mounting screws in strap. Any remaining tapped hole may be used for the ground screw.

Light Bulb Replacement

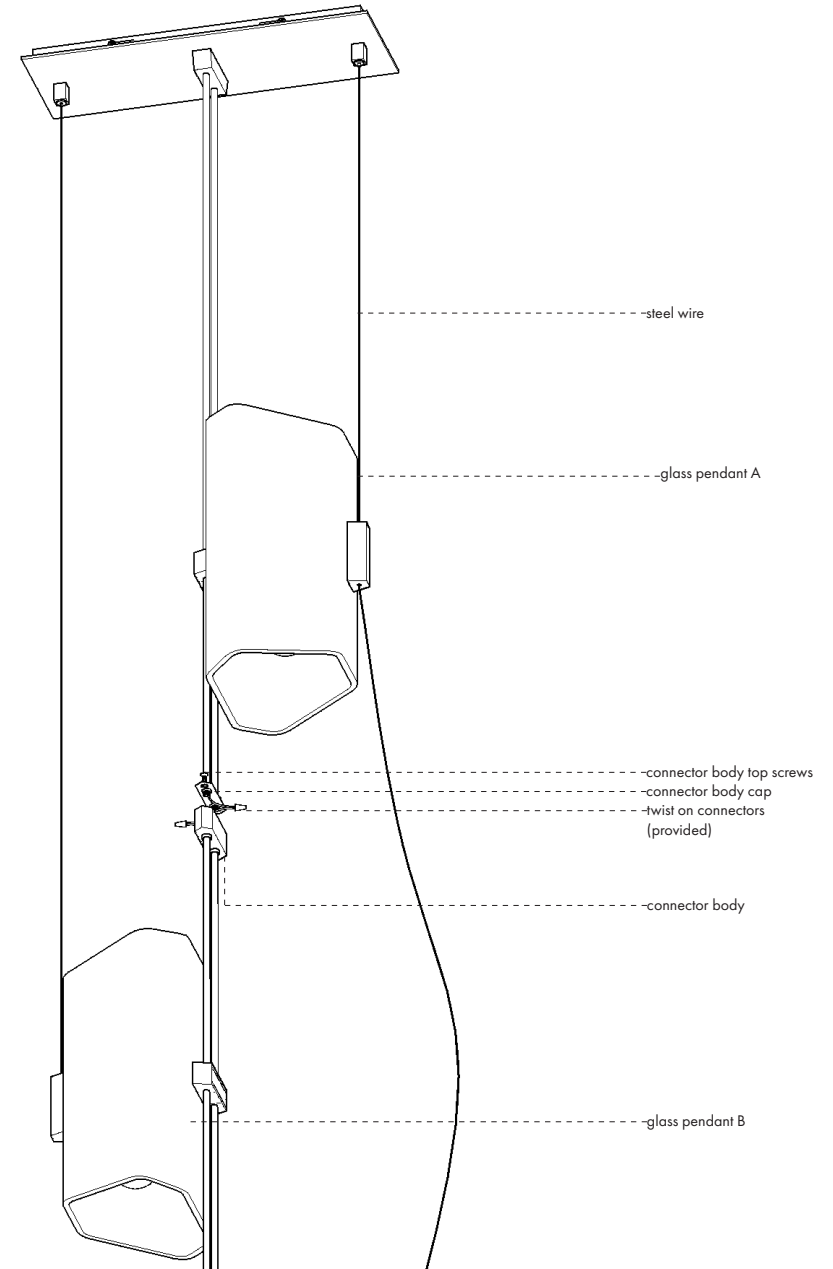
1. Make sure the fixture is off.
2. Gently twist bulb in and out of socket while holding fixture body as to not strain fixture.



It's recommended to use a soft cloth or gloves when handling the fixture.

Assembly Instructions

1. Support glass pendant B under glass pendant A, aligning connector body with connector body cap.
2. Connect positive supply wire (typically black or the smooth, unmarked side of the two-conductor cord) to positive fixture lead with appropriately sized twist on connector.
3. Place all wires into connector body. Secure connector body cap to top of connector body using provided top screws.



It's recommended to use a soft cloth or gloves when handling the fixture.

Assembly Instructions

1. Support glass pendant C under glass pendant B, aligning connector body with connector body cap.
2. Connect positive supply wire (typically black or the smooth, unmarked side of the two-conductor cord) to positive fixture lead with appropriately sized twist on connector.
3. Place all wires into connector body. Secure connector body cap to top of connector body using provided top screws.
4. Screw threaded steel wire grip to hardware at pendant C. This will connect pendant C to pendant A. Ensure there is at least 3" of steel wire in bottom vertical hardware.
4. To straighten fixture, push down on nipple at wire grip. Push or pull steel wire to desired length. Release nipple to lock steel wire in place. Repeat this step at all pendants and canopy until desired effect is achieved.

