

It's recommended to use a soft cloth or gloves when handling the fixture.

Wiring Instructions

1. Attach universal crossbar to J-box, aligning holes in regard to fire plate screw holes and fixture direction.
2. Connect positive supply wire (typically black or the smooth, unmarked side of the two-conductor cord) to positive fixture lead with appropriately sized twist on connector.
3. Connect negative supply wire (typically white or the ribbed, marked side of the two-conductor cord) to negative fixture lead.
4. Please refer to the grounding instructions to complete all electrical connections.
5. Tuck the connected wires into the J-box. Align screws from fire plate to the holes in universal crossbar.
6. Screw fire plate onto universal crossbar.
7. With the help of another person, raise the fixture while holding the canopy, and connect canopy to fire plate using side screws, tightening the canopy flush to the ceiling.
8. Install hooked brass wire extensions starting from the canopy, alternating wire lengths according to desired drop.

Grounding Instructions

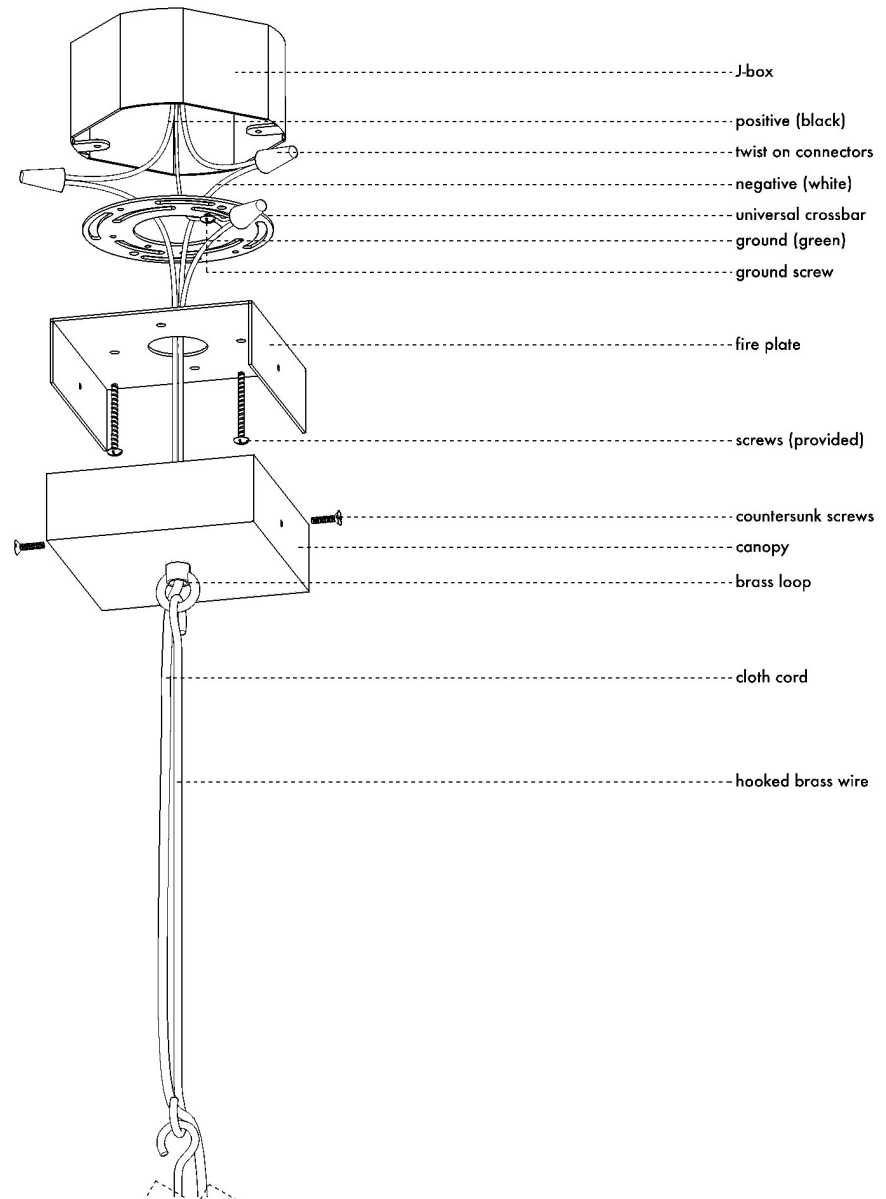
For positive grounding in a 3-wire electrical system, fasten the fixture ground wire (typically copper or green plastic coated) to the fixture mounting crossbar with the ground screw.

Note: On straps for screw support fixtures, first install the two mounting screws in strap. Any remaining tapped hole may be used for the ground screw.

Light Bulb Replacement

It's recommended to use a soft cloth or gloves when handling this fixture

Remove bulb by gently twisting it out from socket and release from metal shade. Do not over tighten new bulb.



It's recommended to use a soft cloth or gloves when handling the fixture.

Assembly Instructions

1. Lay shade on its side on a flat, non abrasive surface.
2. Arrange hooked wire extensions, starting from the shade, according to desired final drop.
3. Once length is determined and canopy is hooked onto wire arrangement, pull cloth cord from inside the canopy until just before the cord matches in length, allowing to loosely weave through hooked ends.
4. Cut excess cord, 6" from the inside of the canopy.
5. Please refer to WIRING INSTRUCTIONS to install pendant

