

It's recommended to use a soft cloth or gloves when handling the fixture.

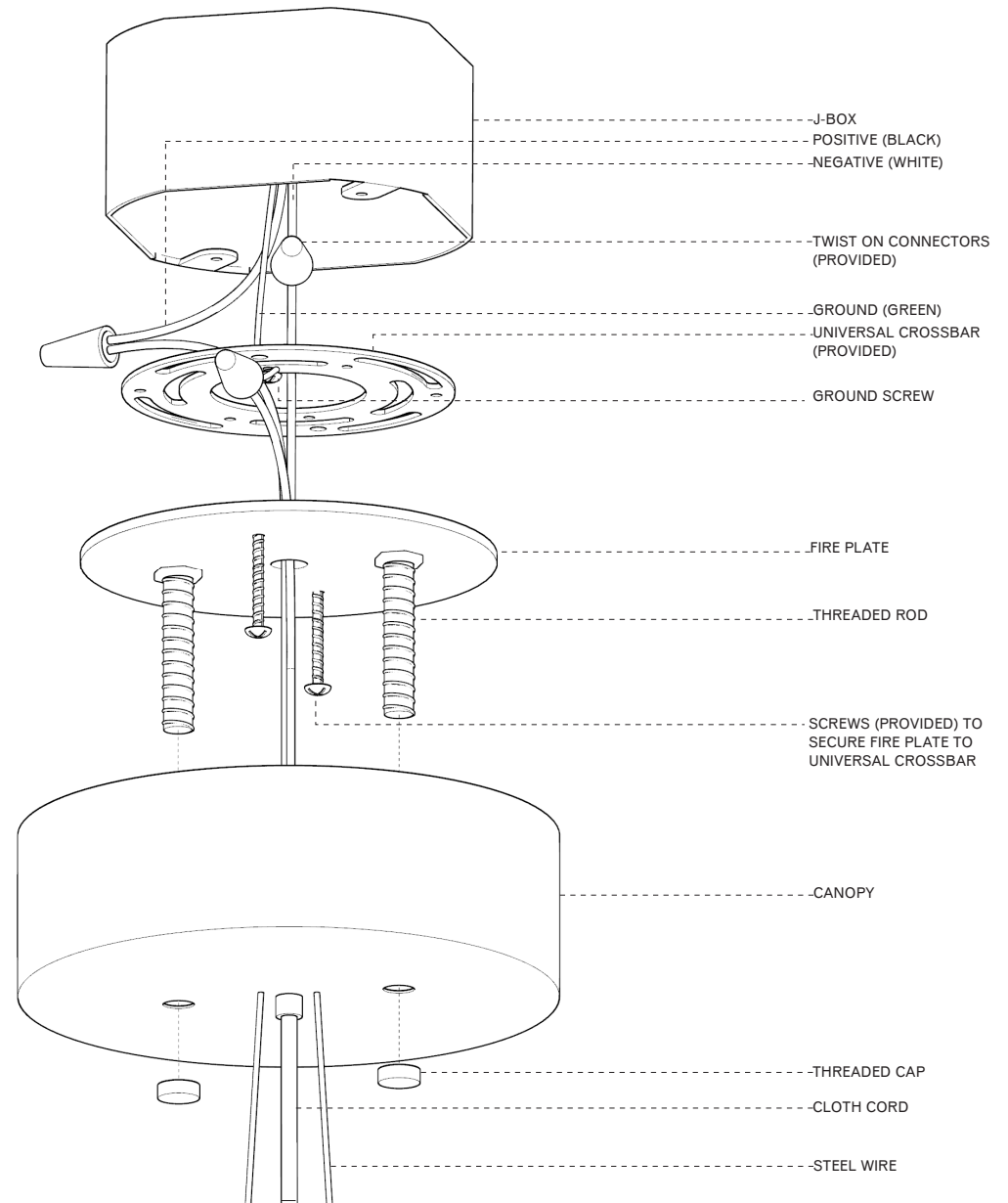
Wiring Instructions

1. Feed wires from fixture through to junction box.
2. Attach universal crossbar to J-box, aligning holes in regard to fire plate screw holes and fixture direction.
3. Screw fire plate onto universal crossbar.
4. Connect positive supply wire (typically black or the smooth, unmarked side of the two-conductor cord) to positive fixture lead with appropriately sized twist on connector.
5. Connect negative supply wire (typically white or the ribbed, marked side of the two-conductor cord) to negative fixture lead.
6. Please refer to the grounding instructions to complete all electrical connections.
7. Tuck the connected wires into the fire plate.
8. Secure canopy to threaded rods on the fireplate using provided threaded caps.

Grounding Instructions

For positive grounding in a 3-wire electrical system, fasten the fixture ground wire (typically copper or green plastic coated) to the fixture mounting crossbar with the ground screw.

Note: On straps for screw support fixtures, first install the two mounting screws in strap. Any remaining tapped hole may be used for the ground screw.



It's recommended to use a soft cloth or gloves when handling the fixture.
Remove all adhesive packaging tapes before assembly.

Assembly Instructions

1. Feed steel wires from fixture through steel grips.
2. Unlock the steel grips by pressing the tip into the barrel of the grip.
3. Allow the excess cable to exit through the notch and release the gripper to lock.
4. Trim ends of steel wire using purpose built wire cutters.

NOTE: Cable will not fray unless passed repeatedly through the gripper mechanism. To prevent fraying of freshly cut ends, re-solder or apply a drop of super-glue.

Light Bulb Replacement

1. Make sure fixture is off. Using gloves, lift lampshade lid up and over brass cup.
2. Gently twist bulb in and out of socket while holding the socket to prevent straining the fixture.
3. Set lampshade lid back into place.

