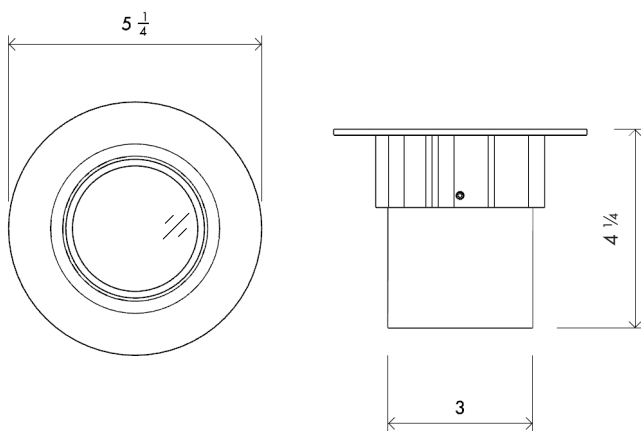


Materials	Polished and matte aluminum with frosted glass diffuser
Dimensions	5 ¼ in (13.3 cm) dia x 4 ¼ in (10.8 cm) H
Backplate	5 ¼ in (13.3 cm) x ½ in (0.3 cm) H J-box location on center
Weight	<10lbs (4.5kg)
Lamping	AC Engine (provided) 12W 3000K 1200 lm

Finishes	● Oil Rubbed Bronze
	● Polished Brass with Satin Brass
	● Polished Aluminum with Matte Aluminum



Handmade in Los Angeles



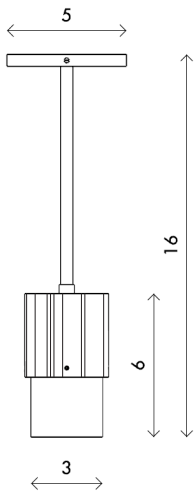
Bulb life	25,000 hrs
Dimming	(TRIAC) or (ELV) / 100% ~ 10% 0-100%. Wattage +/- 10% Lumen Values +/- 5Lms CRI +/- 5% Fully tested with LUTRON® DVCL, DVCL
Voltage	Universal voltage (120~277) AC engine
Certification	UL, CE listed, RoHS compliant, CEC JA8-2016
Installation Type	Hardwired

Materials	Polished and matte aluminum with frosted glass diffuser on swivel
Dimensions	3½ in (8.9 cm) dia x 6 in (15.2 cm) H
Canopy	5 in (12.7 cm) W x 5 in (12.7 cm) D x 16 in (40.6 cm) L J-box location on center
Drop height	16 (40.6cm) Customizable upon request, not adjustable on site
Weight	<20lbs (4.5kg)
Lamping	AC Engine (provided) 12W 3000K 1200 lm

Finishes	● Oil Rubbed Bronze
	● Polished Brass with Satin brass
	● Polished Aluminum with Matte Aluminum



Handmade in Los Angeles



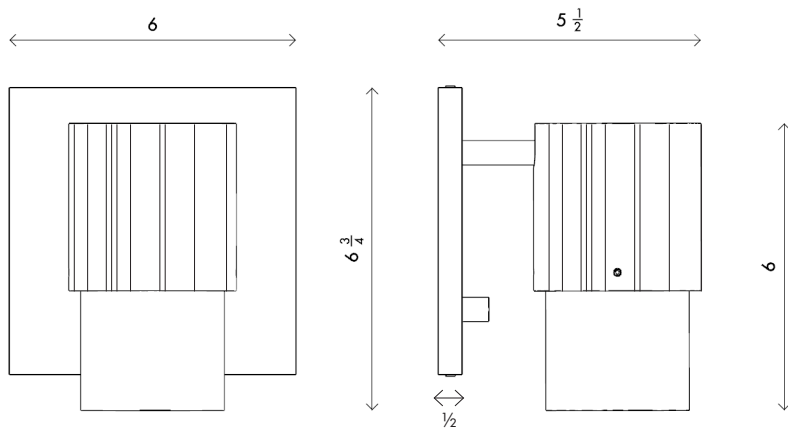
Bulb life	25,000 hrs
Dimming	(TRIAC) or (ELV) / 100% ~ 10% 0-100%. Wattage +/- 10% Lumen Values +/- 5Lms CRI +/- 5% Fully tested with LUTRON® DVCL, DVEL
Voltage	Universal voltage (120~277) AC engine
Certification	UL, CE listed, RoHS compliant, CEC JA8-2016
Installation Type	Hardwired Softwire/plug-in available upon request

Materials	Solid aluminum with frosted glass diffuser on swivel
Dimensions	6 in (15.2 cm) W x 6¾ in (17.1 cm) D x 5½ in (14.0 cm) H
Backplate	6 in (15.2 cm) L x 6 in (15.2 cm) W x 1/2 in (1.3 cm) D J-box location on center
Weight	<20lbs (4.5kg)
Lamping	AC Engine (provided) 12W 3000K 1200 lm

Finishes	● Oil Rubbed Bronze
	● Polished Brass with Satin brass
	● Polished Aluminum with Matte Aluminum



Handmade in Los Angeles



Bulb life	25,000 hrs
Dimming	(TRIAC) or (ELV) / 100% ~ 10% 0-100%. Wattage +/- 10% Lumen Values +/- 5Lms CRI +/- 5% Fully tested with LUTRON® DVCL, DVEL
Voltage	Universal voltage (120~277) AC engine
Certification	UL, CE listed, RoHS compliant, CEC JA8-2016
Installation Type	Hardwired Softwire/plug-in available upon request