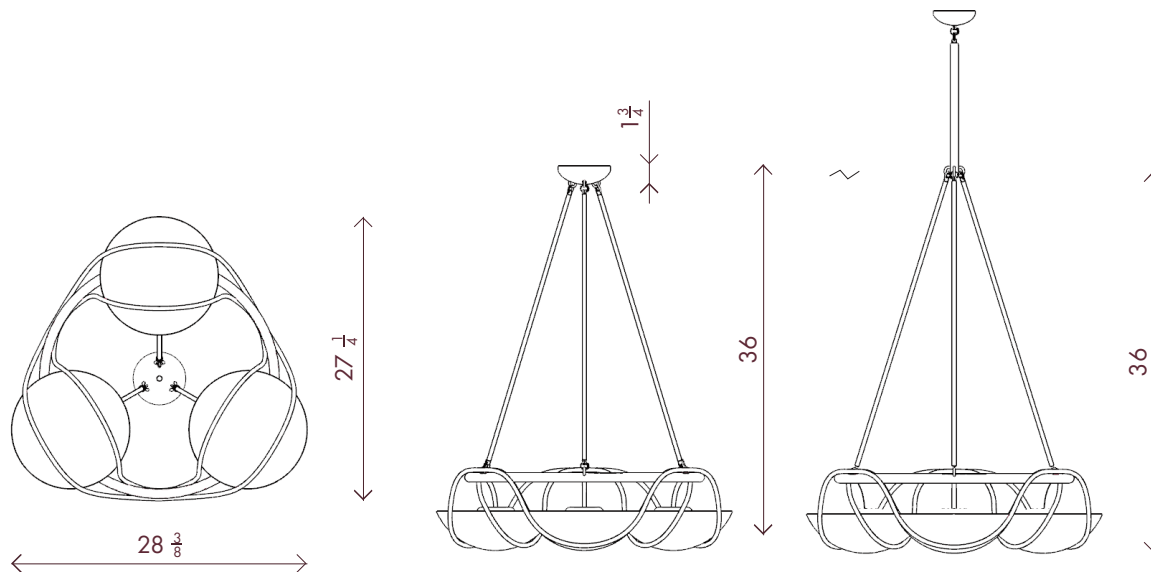


Materials	Solid brass and alabaster Rope detail available upon request
Dimensions	29 $\frac{3}{8}$ in (97.4 cm) W x 27 $\frac{1}{4}$ in (69.8 cm) D x 36 in (19.3 cm) H
Canopy	5 in (11.4 cm) W x 1 $\frac{3}{4}$ in (4.4 cm) D x 5 in (11.4 cm) L J-box location on center
Drop height	36 in (19.3 cm) Customizable upon request/extension available Not adjustable on site
Weight	<50lbs (22.7kg)
Lamping	AC engine (provided) 10W 2700K 831 lm

Finishes	● Blackened Brass
	● Satin brass
	● Antique brass
	● Silver Patina
	● Alabaster



Shown in blackened brass



Standard Drop

Extended Drop

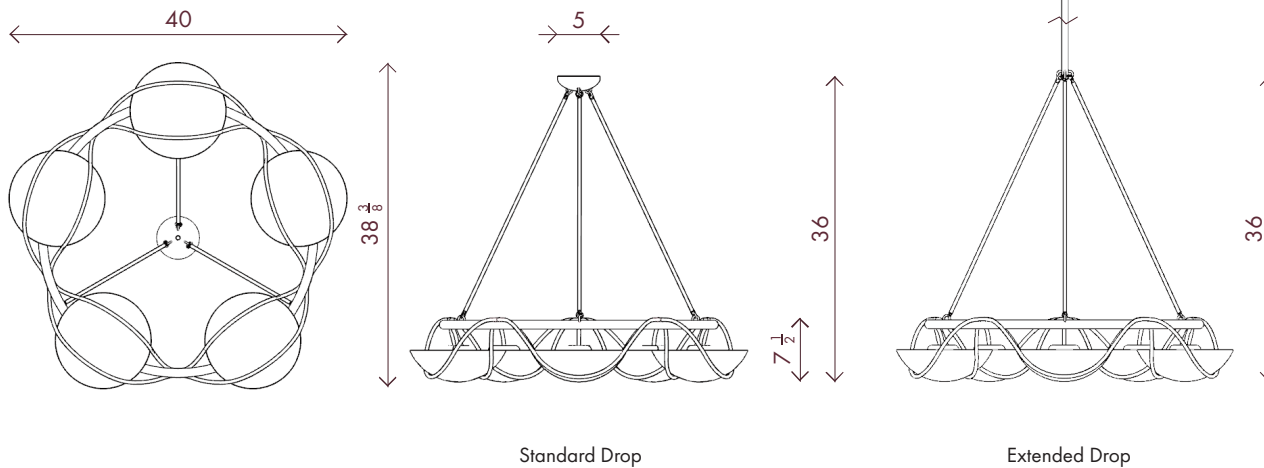
Bulb life	60,000 hrs
Dimming	(TRIAC) or (ELV) / 100% ~ 10% 0-100%. Wattage +/- 10% Lumen Values +/- 5Lms CRI +/- 5% Fully tested with LUTRON® DVCL, DVEL
Voltage	Universal voltage (120~277) AC engine
Certification	UL, CE listed, RoHS compliant, CEC JA8-2016
	Handmade in Los Angeles Hardwired

Materials	Solid brass and alabaster Rope detail available upon request
Dimensions	40 in (101.6 cm) W x 38 ³ / ₈ in (97.5 cm) D x 7 ¹ / ₂ in (19.1 cm) H
Canopy	5 in (11.4 cm) W x 1 ³ / ₄ in (4.4 cm) D x 5 in (11.4 cm) L J-box location on center
Drop height	36 in (91.4cm) Customizable upon request/extension available Not adjustable on site
Weight	<50lbs (22.7kg)
Lamping	AC engine (provided) 10W 2700K 831 lm

Finishes	● Blackened Brass
	● Satin brass
	● Antique brass
	● Silver Patina
	● Alabaster



Handmade in Los Angeles



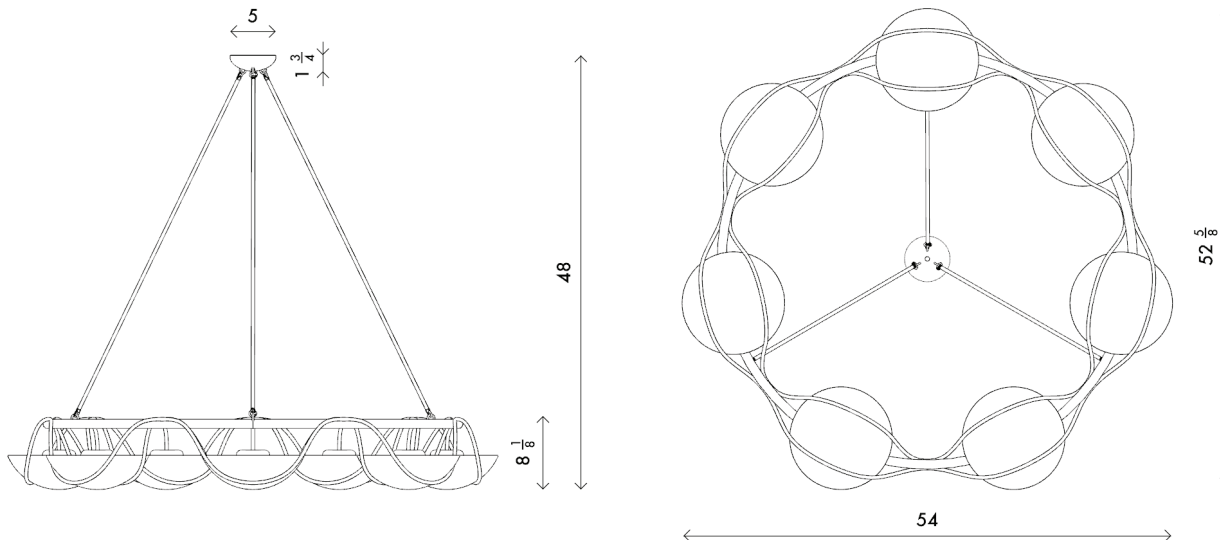
Bulb life	60,000 hrs
Dimming	(TRIAC) or (ELV) / 100% ~ 10% 0-100%. Wattage +/- 10% Lumen Values +/- 5Lms CRI +/- 5% Fully tested with LUTRON® DVCL, DVEL
Voltage	Universal voltage (120~277) AC engine
Certification	UL, CE listed, RoHS compliant, CEC JA8-2016
Installation Type	Handmade in Los Angeles Hardwired

Materials	Solid brass and alabaster Rope detail available upon request
Dimensions	54 in (100.3 cm) W x 52 5/8 in (96.8 cm) D x 8 1/8 in (20.4 cm) H
Weight	<75 lbs (29.5 kg)
Canopy	5 in (11.4 cm) W x 1 3/4 in (4.4 cm) D x 5 in (11.4 cm) L J-box location on center
Drop height	48in (121.9cm) Customizable upon request/extension available Not adjustable on site
Lamping	AC engine (provided) 10W 2700K 831 lm

Finishes	● Blackened Brass
	● Satin brass
	● Antique brass
	● Silver Patina
	● Alabaster



Handmade in Los Angeles



Bulb life	60,000 hrs
Dimming	(TRIAC) or (ELV) / 100% ~ 10% 0-100%. Wattage +/- 10% Lumen Values +/- 5Lms CRI +/- 5% Fully tested with LUTRON® DVCL, DVEL
Voltage	Universal voltage (120~277) AC engine
Certification	UL, CE listed, RoHS compliant, CEC JA8-2016
Installation Type	Hardwired